

ALGE-TIMING

# Electronic Start Device e-Start



Manual

## Important Information

### General

Before using your **ALGE-TIMING** device read the complete manual carefully. It is part of the device and contains important information about installation, safety and its intended use. This manual cannot cover all conceivable applications. For further information or in case of problems that are mentioned not at all or not sufficiently detailed, please contact your **ALGE-TIMING** representative. You can find contact details on our homepage [www.alge-timing.com](http://www.alge-timing.com)

### Safety

Apart from the information of this manual all general safety and accident prevention regulations of the legislator must be taken into account.

The device must only be used by trained persons. The setting-up and installation must only be executed according to the manufacturer's data.

### Intended Use

The device must only be used for its intended applications. Technical modifications and any misuse are prohibited because of the risks involved! **ALGE-TIMING** is not liable for damages that are caused by improper use or incorrect operation.

### Power supply

The stated voltage on the type plate must correspond to voltage of the power source. Check all connections and plugs before usage. Damaged connection wires must be replaced immediately by an authorized electrician. The device must only be connected to an electric supply that has been installed by an electrician according to IEC 60364-1. Never touch the mains plug with wet hands! Never touch live parts!

### Cleaning

Please clean the outside of the device only with a smooth cloth. Detergents can cause damage. Never submerge in water, never open or clean with wet cloth. The cleaning must not be carried out by hose or high-pressure (risk of short circuits or other damage).

### Liability Limitations

All technical information, data and information for installation and operation correspond to the latest status at time of printing and are made in all conscience considering our past experience and knowledge. Information, pictures and description do not entitle to base any claims. The manufacturer is not liable for damage due to failure to observe the manual, improper use, incorrect repairs, technical modifications, use of unauthorized spare parts. Translations are made in all conscience. We assume no liability for translation mistakes, even if the translation is carried out by us or on our behalf.

### Disposal

If a label is placed on the device showing a crossed out dustbin on wheels (see drawing), the European directive 2002/96/EG applies for this device.

Please get informed about the applicable regulations for separate collection of electrical and electronical waste in your country and do not dispose of the old devices as household waste. Correct disposal of old equipment protects the environment and humans against negative consequences!



### Operating ranges and interferences

The **ALGE** WTN operates in 4.2 GHz frequency band, the same as WLAN. This is also used by other services. The operating range as well as the operation may be disturbed by devices working at the same or neighboring frequencies.

### Copyright by **ALGE-TIMING** GmbH

All rights reserved. Any duplication, either in full or in part, requires the prior written consent of the copyright holder.

## Declaration of Conformity

We hereby declare that the following product complies with the below stated standards. All components used by us are CE certified by their producer and are not modified by ALGE-TIMING GmbH.

We, **ALGE-TIMING GmbH**  
**Rotkreuzstrasse 39**  
**A-6890 Lustenau**

declare in sole responsibility that the electronic start device

### e-Start

complies with the following standards/normative documents and in case of intended use complies with the basic requirements of R&TTE 1999/5/EC:

Telecommunication (TC)terminal device

Applied harmonized standards...

EN 60950-1:2006+A11:2009+A1:2010+A12:2011  
EN 61000-3-2+A1+A2  
EN 61000-6-4:2007  
EN 61000-3-3:2013  
EN 61000-6-3:2007/A1:2011/AC:2012

EN 61000-6-1:2007  
EN 61000-6-2:2005  
EN 55024:2010

**Additional information:**

The product complies with the low voltage directive 73/23/EEC and EMC directive 2004/108EG and carries the CE sign.

Lustenau, 2014-07-12

ALGE-TIMING GmbH

Albert Vetter  
(CIO)

## Table of Contents

<b>1</b>	<b>General</b> .....	<b>5</b>
<b>2</b>	<b>Commissioning</b> .....	<b>6</b>
2.1	Switching On - / Switching Off.....	6
2.2	Status LED (2) .....	6
<b>3</b>	<b>Function</b> .....	<b>7</b>
3.1	False Start Signal .....	7
3.1.1	No False Start Signal.....	7
<b>4</b>	<b>Technical Specifications</b> .....	<b>7</b>

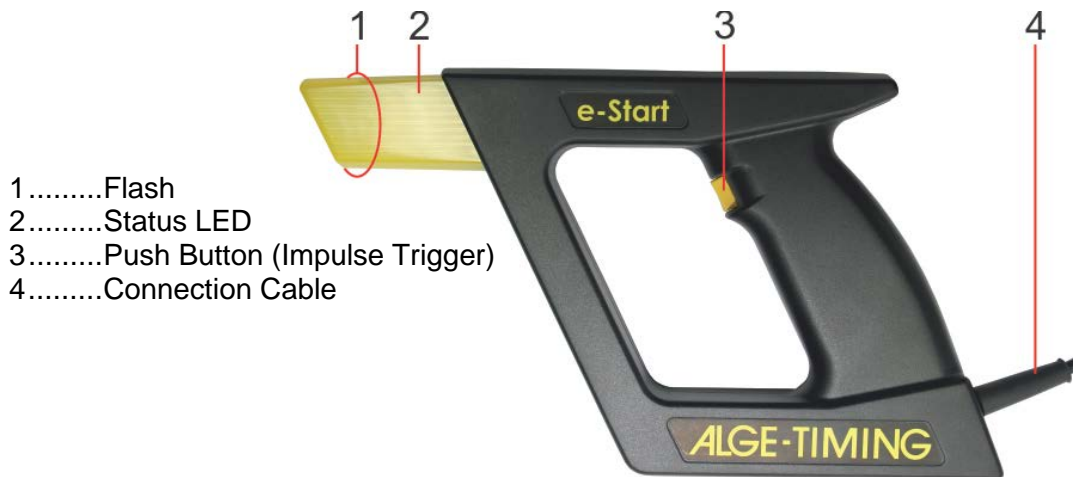
## 1 General

ALGE-TIMING offers two different models of the electronic start devices:

e-Start..... start device with flash and cable connection

e-Start W..... start device with flash and radio communication

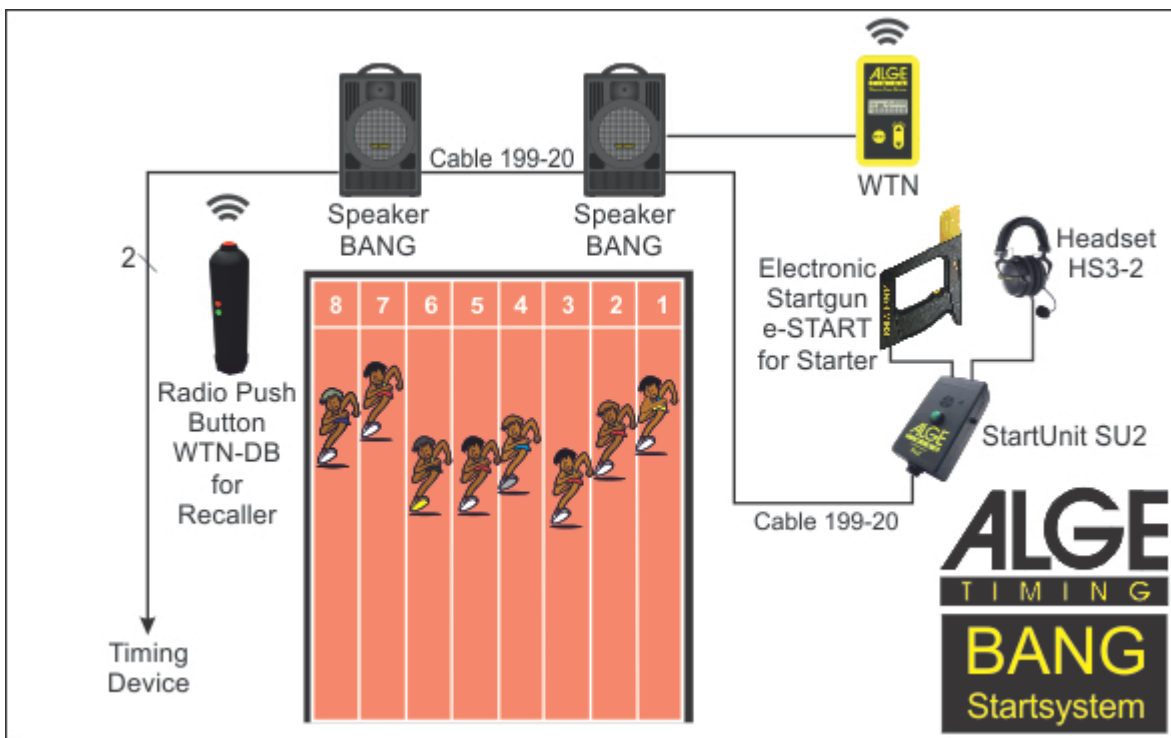
This manual describes only the model **e-Start**.



## 2 Commissioning

The e-Start can be connected with several **ALGE-TIMING** devices. It is important that the e-Start is supplied with + 6 to + 12 VDC from the connected device. The power supply must deliver a minimum 450 mA.

Timy, Timy2 and Timy3:	functioning only with external power supply at Timy
TdC8001:	power supply from TdC8001 or TdC8000
Photo finish OPTIc2:	power supply from photo finish camera OPTIc2
Distribution Box OCD2:	power supply from Distribution Box OCD2
Start Unit SU2/SU3:	power supply from timing device through SU2/SU3
Speech Amplifier SV4/SM:	power supply from SV4/SM
Speaker System BANG:	power supply from BANG



### 2.1 Switching On - / Switching Off

The e-Start is automatically activated as soon as it is connected to a corresponding **ALGE-TIMING** device.

### 2.2 Status LED (2)

The Status LED (2) has the following functions:

- Blinking green ..... ready for start
- Blinking orange ..... start has no ready signal (only with SU3)
- Blinking red ..... start line has a short circuit (is triggered)

### 3 Function

When the e-Start is triggered (pressing push button (3)) a start impulse output is effected through channel 0 (C0). At the same time the electronic flash (1) is triggered.

#### 3.1 False Start Signal

If the push button (3) is triggered again within 5 seconds a false start signal is released (again impulse on channel 0 (C0) and three flash strobes (1) within a short time).

Attention: The false start signal works only when you adjust a short delay time at the timing device (e.g. 0.1 seconds).

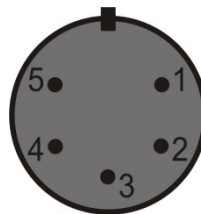
##### 3.1.1 No False Start Signal

If you do not want to output a false start signal you have to adjust a long delay time in the timing device (5 seconds or higher).

### 4 Technical Specifications

Flash:	4 x LED (Ultra Bright Power LED)		
Operating Temperature:	- 20 - + 45° C		
Pulse output:	NPN Transistor, Open Collector, active low		
Maximum output load:	max.		250mW
	max.		14V
	max.	100mA	
Measurements:	265 x 150 x 35 mm		
Weight:	ca. 0.3 kg		
Connection:	fix cable with 2 m length and DIN-plug		

- 1 ..... channel 0 (C0)
- 2 ..... status
- 3 ..... ground
- 4 ..... +U<sub>in</sub> (+6 to 12 VDC)
- 5 ..... empty



**Subject to changes**

**ALGE-TIMING GmbH**

Rotkreuzstraße 39

A-6890 Lustenau

Austria

Tel: +43-5577-85966

Fax: +43-5577-85966-4

[office@alge-timing.com](mailto:office@alge-timing.com)

[www.alge-timing.com](http://www.alge-timing.com)