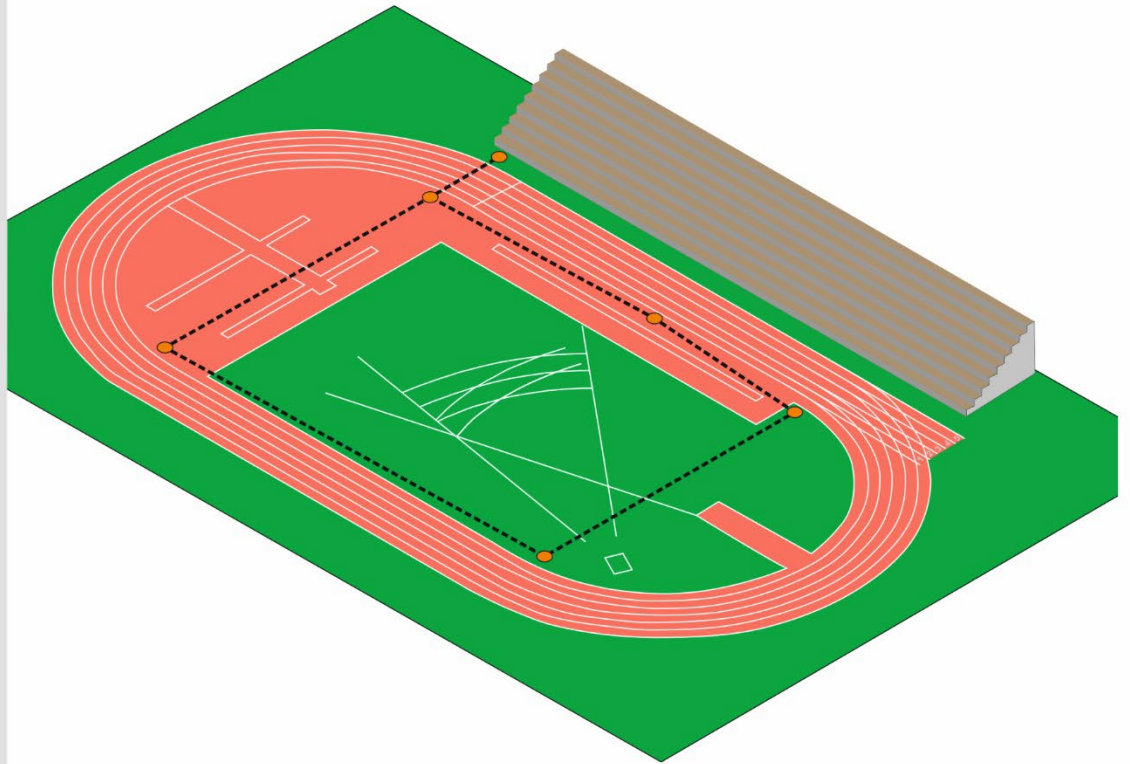


# Fix Stadium Cabling Outdoor



## Important Information

### General

Before using your **ALGE-TIMING** device read the complete manual carefully. It is part of the device and contains important information about installation, safety and its intended use. This manual cannot cover all conceivable applications. For further information or in case of problems that are mentioned not at all or not sufficiently detailed, please contact your **ALGE-TIMING** representative. You can find contact details on our homepage [www.alge-timing.com](http://www.alge-timing.com)

### Safety

Apart from the information of this manual all general safety and accident prevention regulations of the legislator must be taken into account.

The device must only be used by trained persons. The setting-up and installation must only be executed according to the manufacturer's data.

### Intended Use

The device must only be used for its intended applications. Technical modifications and any misuse are prohibited because of the risks involved! **ALGE-TIMING** is not liable for damages that are caused by improper use or incorrect operation.

### Power supply

The stated voltage on the type plate must correspond to voltage of the power source. Check all connections and plugs before usage. Damaged connection wires must be replaced immediately by an authorized electrician. The device must only be connected to an electric supply that has been installed by an electrician according to IEC 60364-1. Never touch the mains plug with wet hands! Never touch live parts!

### Cleaning

Please clean the outside of the device only with a smooth cloth. Detergents can cause damage. Never submerge in water, never open or clean with wet cloth. The cleaning must not be carried out by hose or high-pressure (risk of short circuits or other damage).

### Liability Limitations

All technical information, data and information for installation and operation correspond to the latest status at time of printing and are made in all conscience considering our past experience and knowledge. Information, pictures and description do not entitle to base any claims. The manufacturer is not liable for damage due to failure to observe the manual, improper use, incorrect repairs, technical modifications, use of unauthorized spare parts. Translations are made in all conscience. We assume no liability for translation mistakes, even if the translation is carried out by us or on our behalf.

### Disposal

If a label is placed on the device showing a crossed-out dustbin on wheels (see drawing), the European directive 2002/96/EG applies for this device.

Please get informed about the applicable regulations for separate collection of electrical and electronical waste in your country and do not dispose of the old devices as household waste. Correct disposal of old equipment protects the environment and humans against negative consequences!



### Copyright by **ALGE-TIMING GmbH**

All rights reserved. Any duplication, either in full or in part, requires the prior written consent of the copyright holder.

## Table of Contents

<b>1</b>	<b>General .....</b>	<b>4</b>
1.1	Cables .....	4
1.2	Setup of Manholes .....	5
1.3	Stadium Setup for Fix Cabling .....	6
<b>2</b>	<b>Trackboxes for the System .....</b>	<b>7</b>
2.1	Trackbox TB2 A-E .....	7
2.2	Trackbox TB2 A-E-RJ .....	11
2.3	Trackbox TB2 F .....	14
2.4	Trackbox TB W .....	18
<b>3</b>	<b>Sketches of the Cabling .....</b>	<b>22</b>

Subject to changes

Copyright by

**ALGE-TIMING GmbH**

Rotkreuzstr. 39

6890 Lustenau / Austria

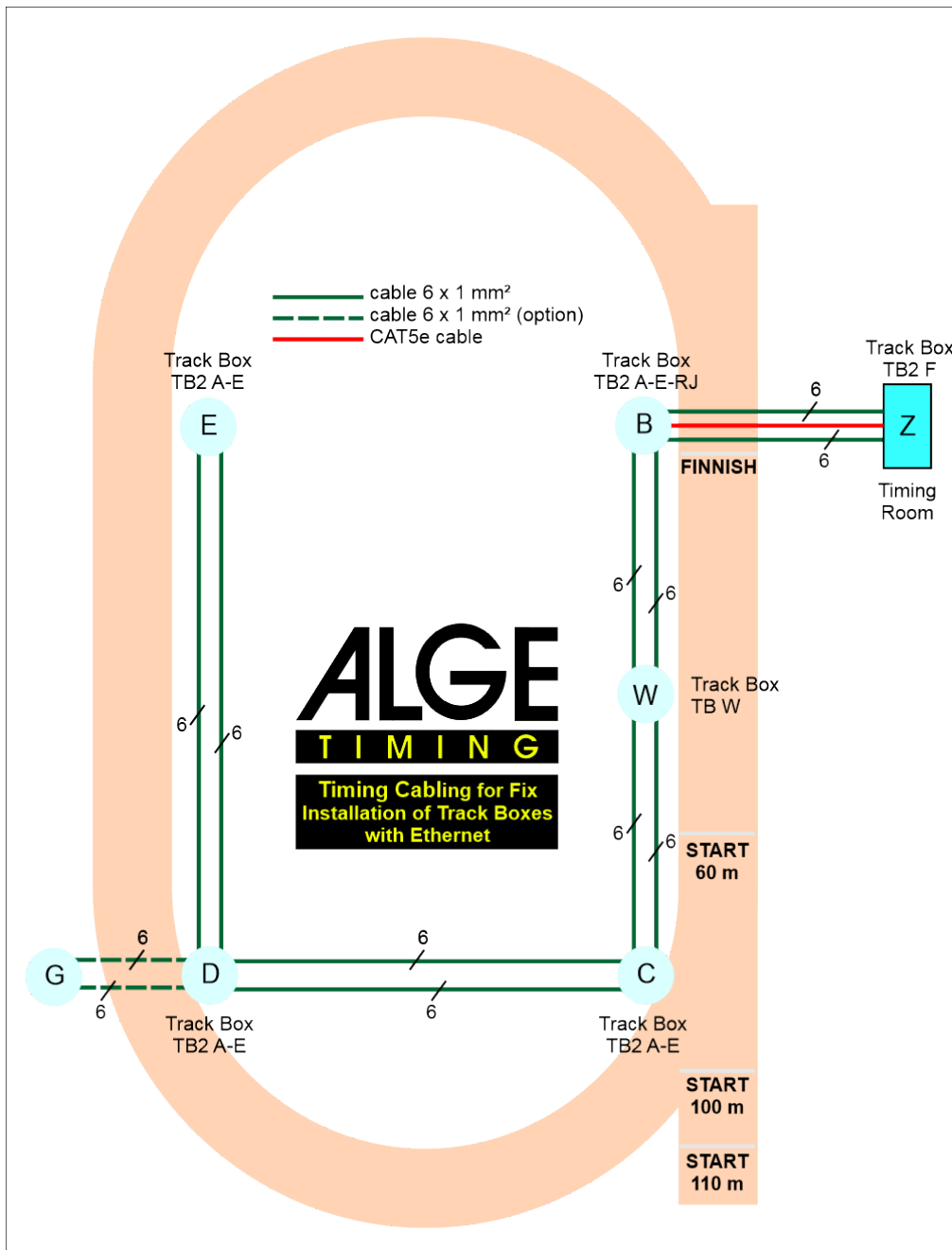
[www.alge-timing.com](http://www.alge-timing.com)

# 1 General

## 1.1 Cables

For the cables that are laid from track box to track box the legal regulations must be respected. We recommend two cables with 6 x 1 mm<sup>2</sup> each.

For the Ethernet cables it must be CAT5e cables (or better).



### Cable Separation:

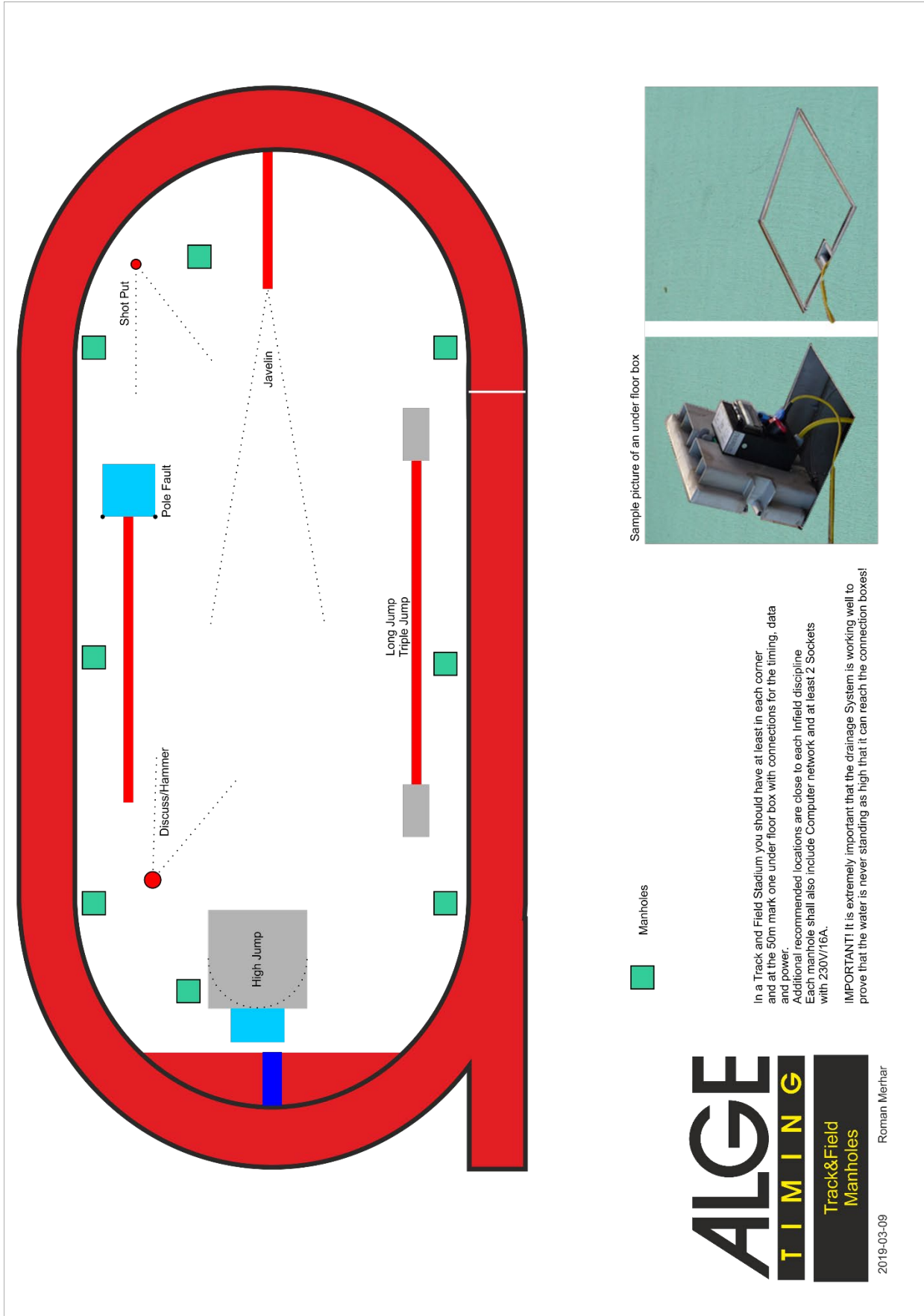
**Cable 1:** Clamp Connector 1, 2, 3, 4, 5 and 7

**Cable 2:** Clamp Connector 6, 8, 9, 10, 11 and 12

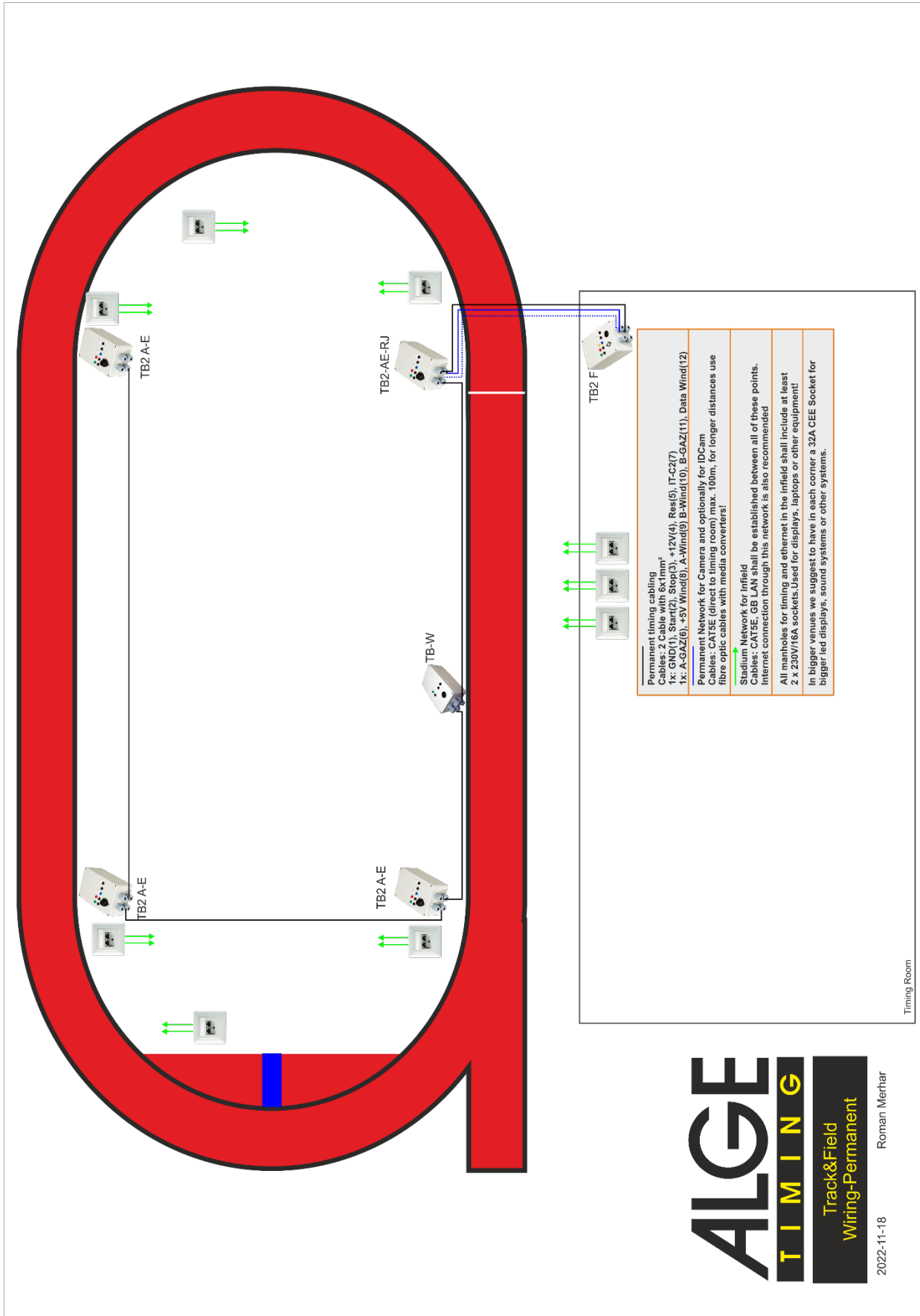
### Attention:

The two empty cable drives in the last cable screw connection must be closed (e.g. insert the rod with cable thickness and screw the cable screw connection).

## 1.2 Setup of Manholes

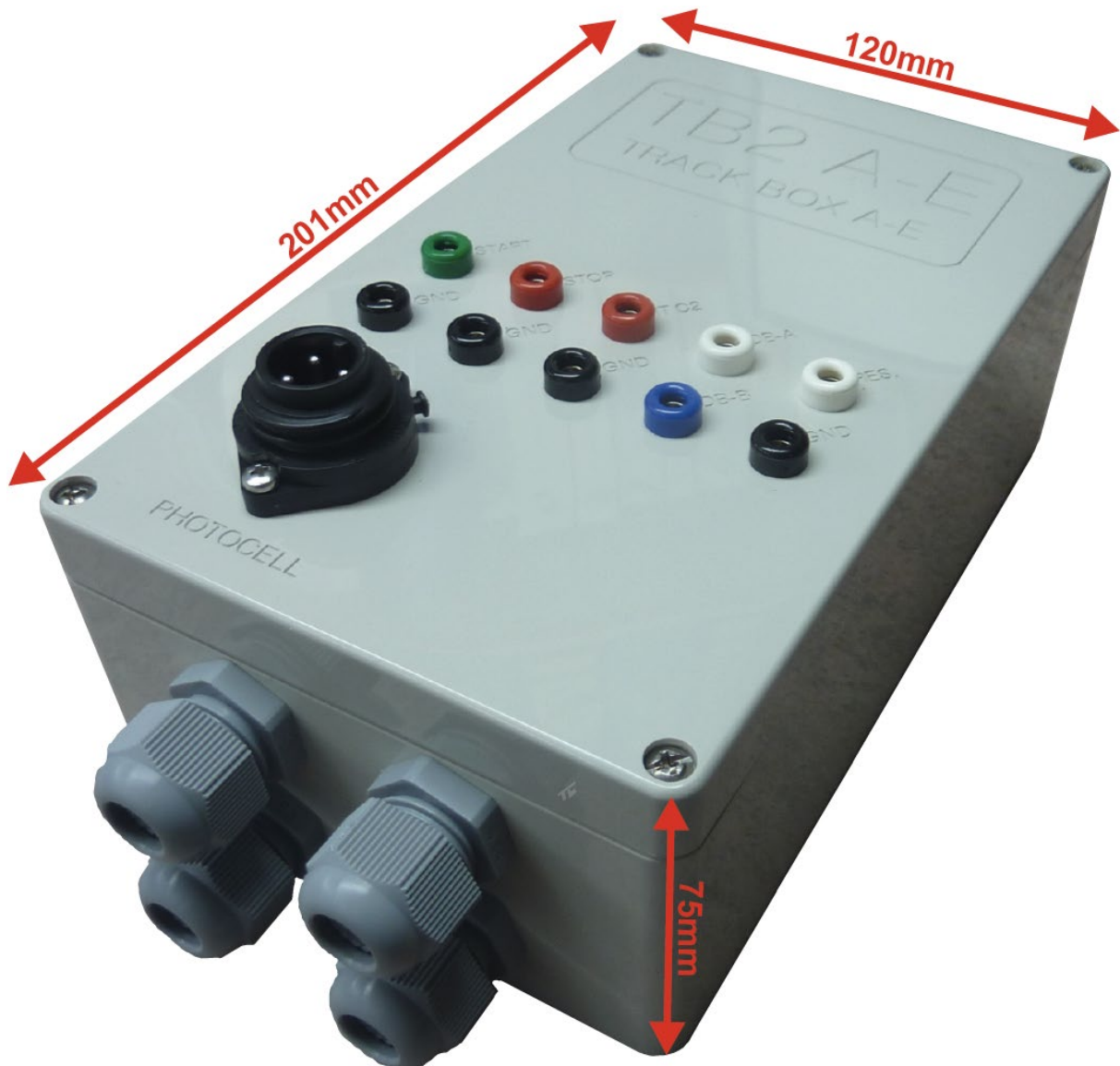


### 1.3 Stadium Setup for Fix Cabling



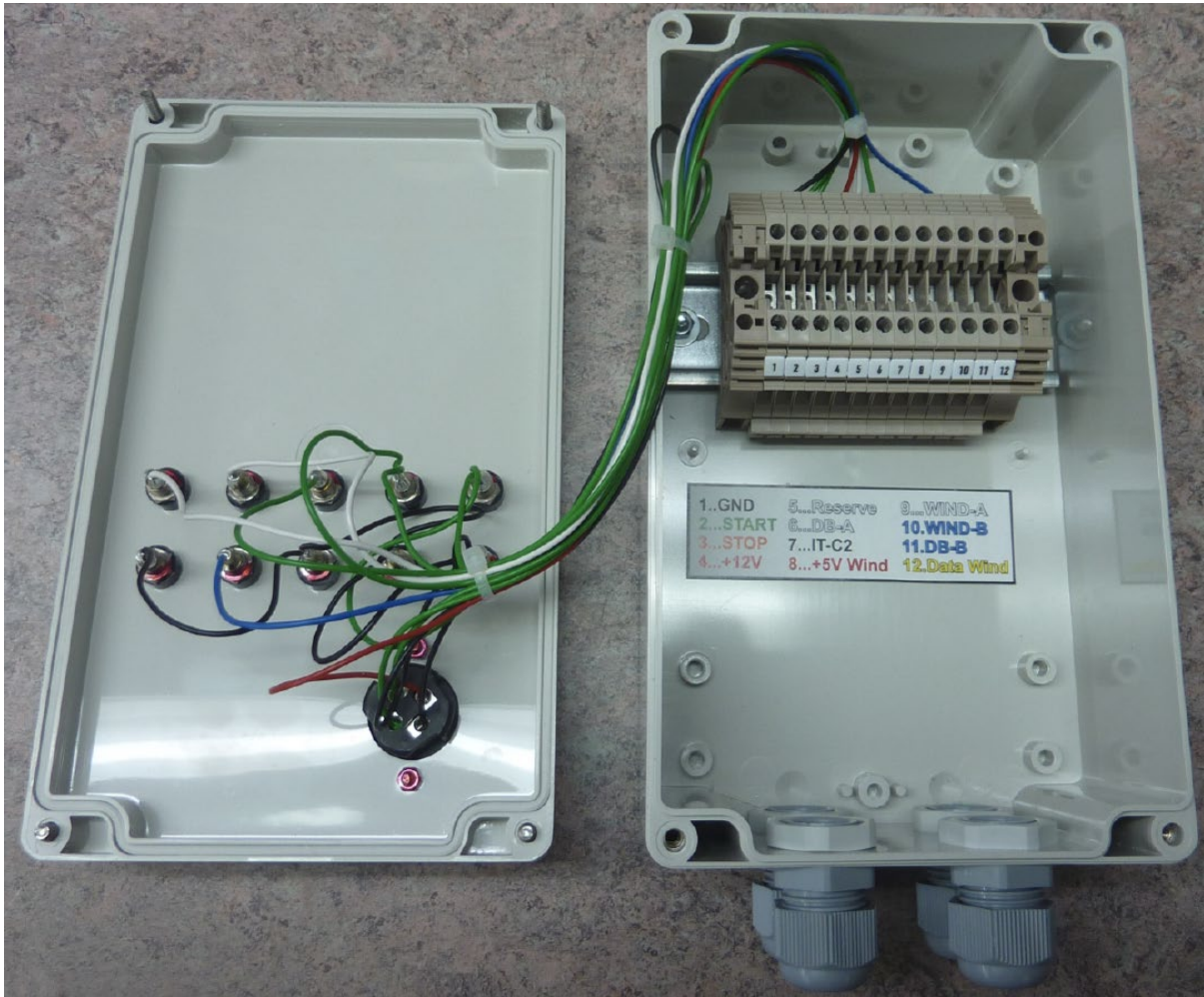
## 2 Trackboxes for the System

### 2.1 Trackbox TB2 A-E





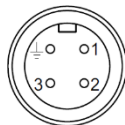




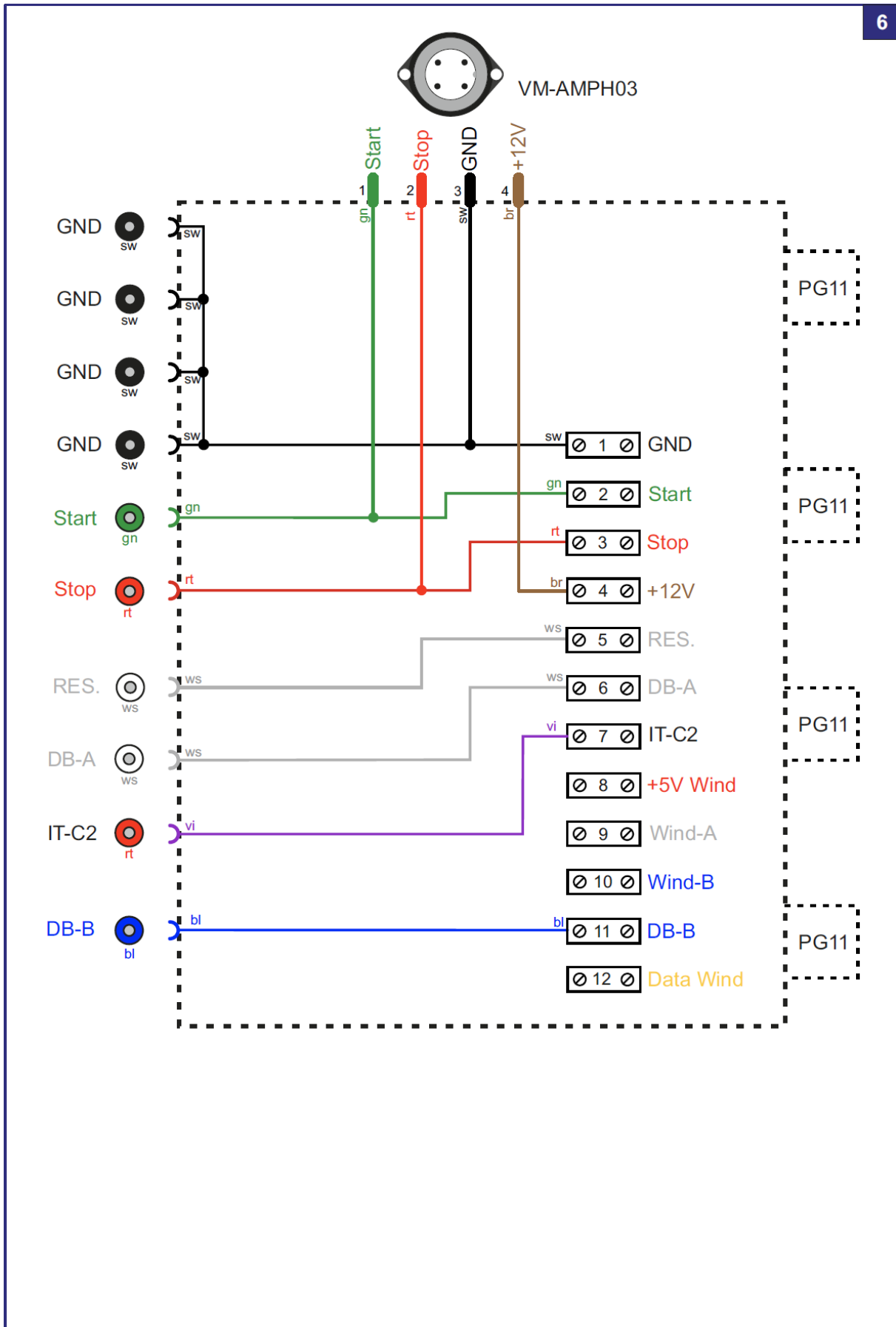
**Terminals:**

1..GND	5...Reserve	9...WIND-A
2...START	6...DB-A	10.WIND-B
3...STOP	7...IT-C2	11.DB-B
4...+12V	8...+5V Wind	12.Data Wind

**Photocell (Amphenol):**



1..Start
2..Stop
3..GND
4..+12V

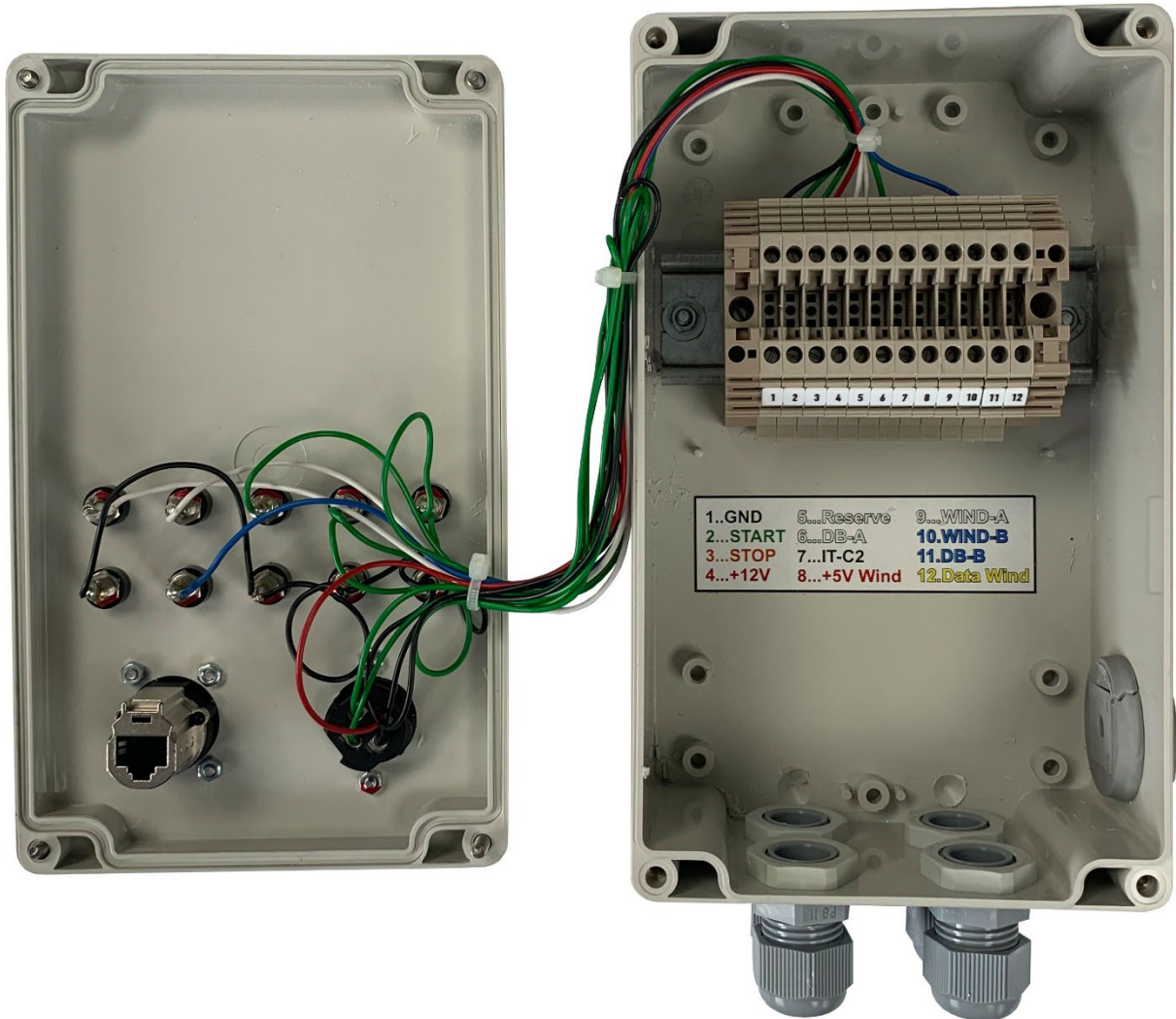


## 2.2 Trackbox TB2 A-E-RJ

The Trackbox TB A-E-RJ is identical as the Trackbox TB A-E, but has additional a RJ45 jack to connect the OPTIc3.

The dimensions of the box are identical as well with 201 x 120 x 75 mm.

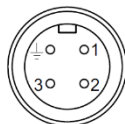




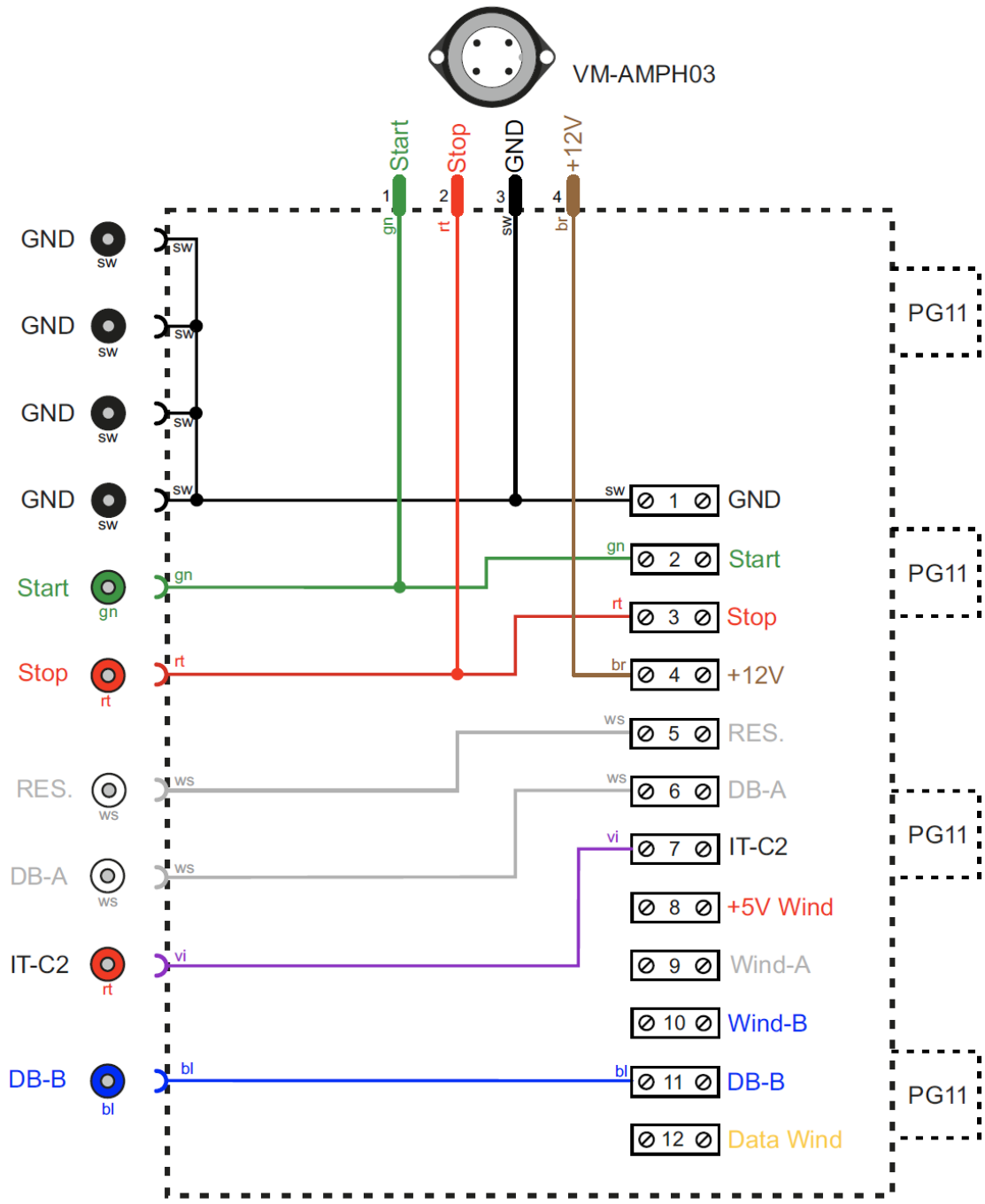
**Terminals:**

1..GND	5...Reserve	9...WIND-A
2...START	6...DB-A	10.WIND-B
3...STOP	7...IT-C2	11.DB-B
4...+12V	8...+5V Wind	12.Data Wind

**Photocell (Amphenol):**

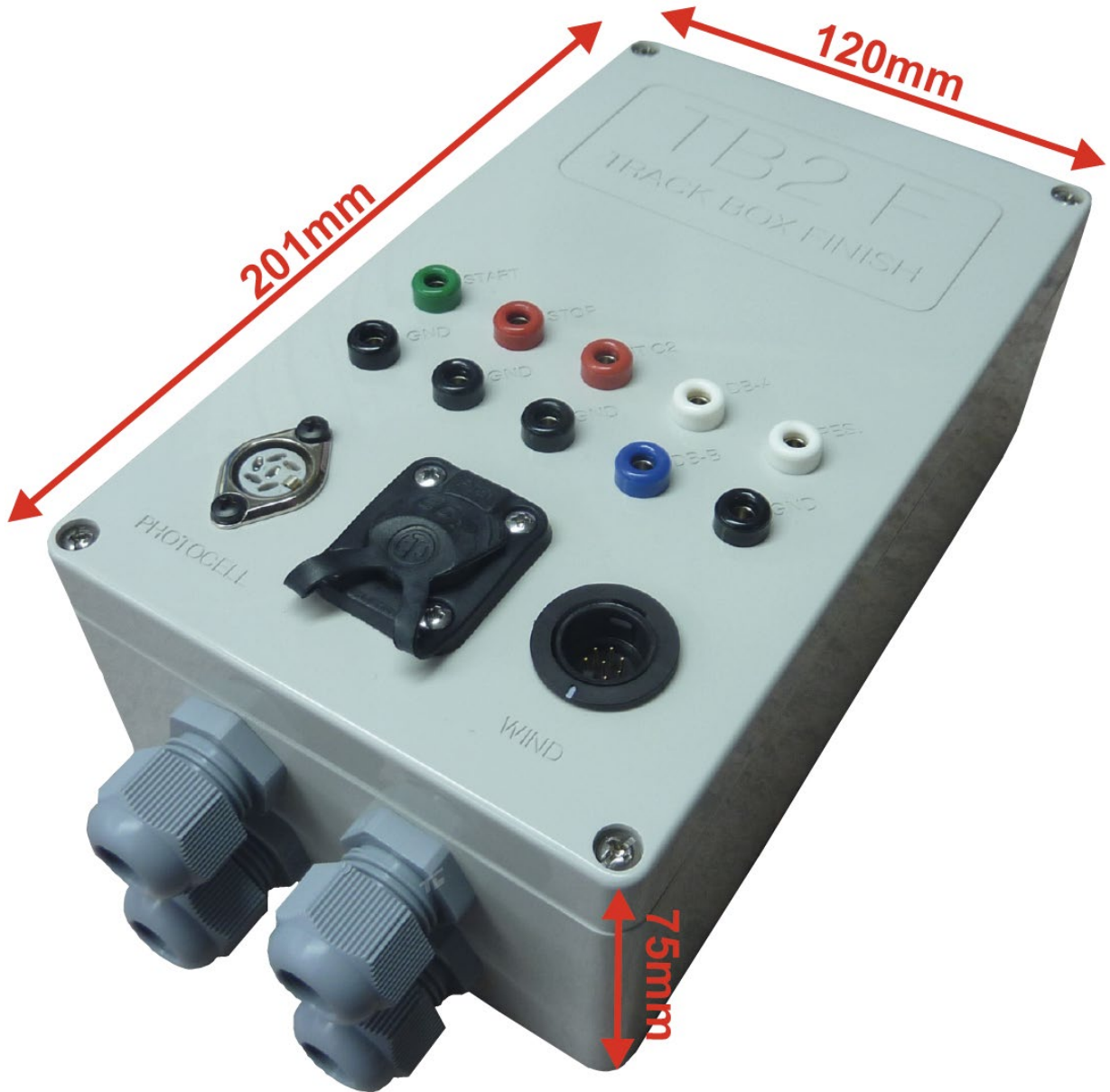


1..Start
2..Stop
3..GND
4..+12V

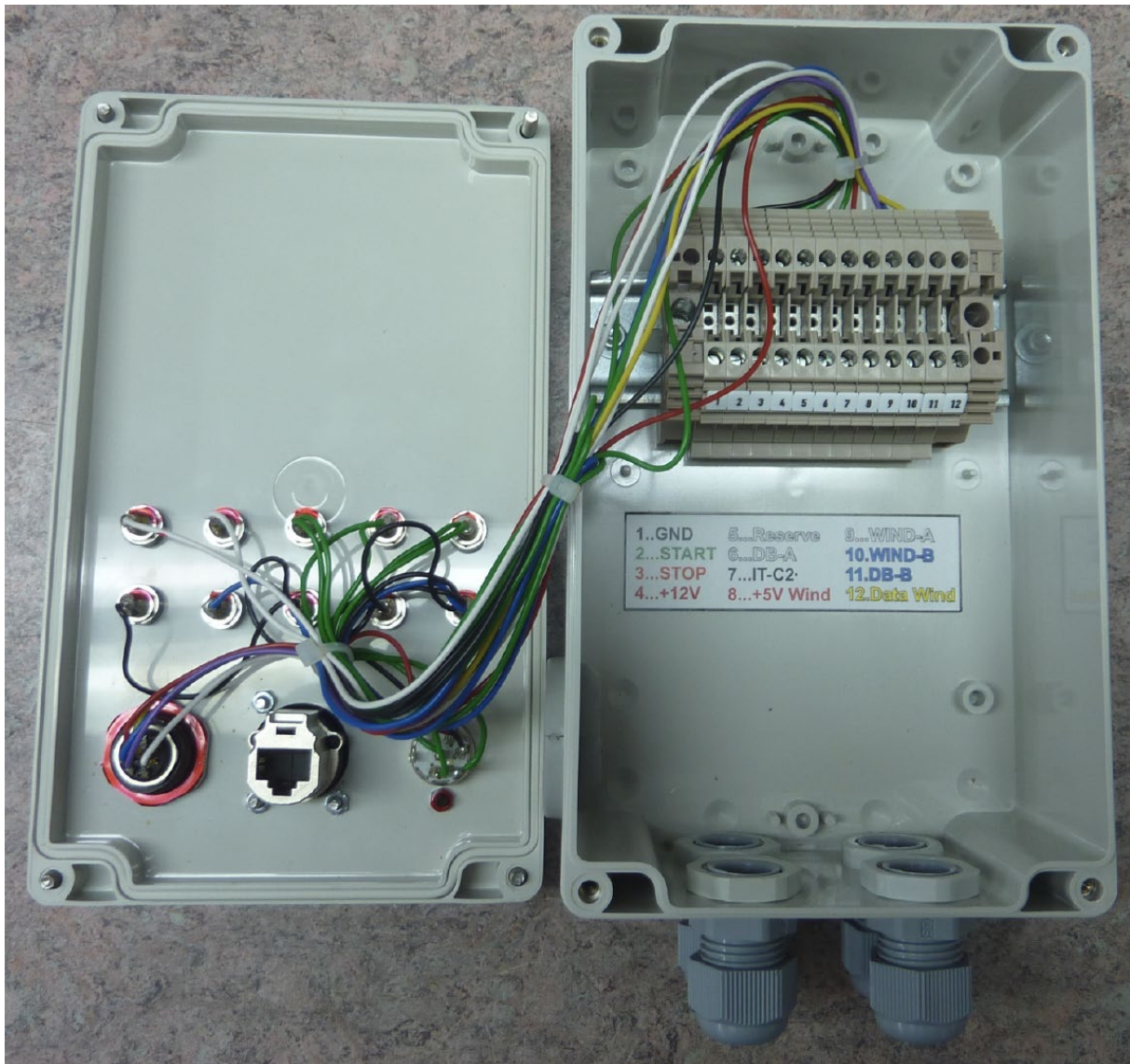


Weiss: 2x35cm  
 Schwarz: 2x35cm, 3x10cm  
 Grün: 2x35cm  
 Blau: 1x35cm  
 Rot: 2x35cm  
 Violett: 1x35cm  
 Braun: 1x35cm

2.3 Trackbox TB2 F



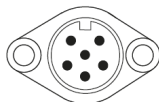




**Terminal:**

1..GND	5...Reserve	9...WIND-A
2...START	6...DB-A	10.WIND-B
3...STOP	7...IT-C2	11.DB-B
4...+12V	8...+5V Wind	12.Data Wind

**Photocell:**



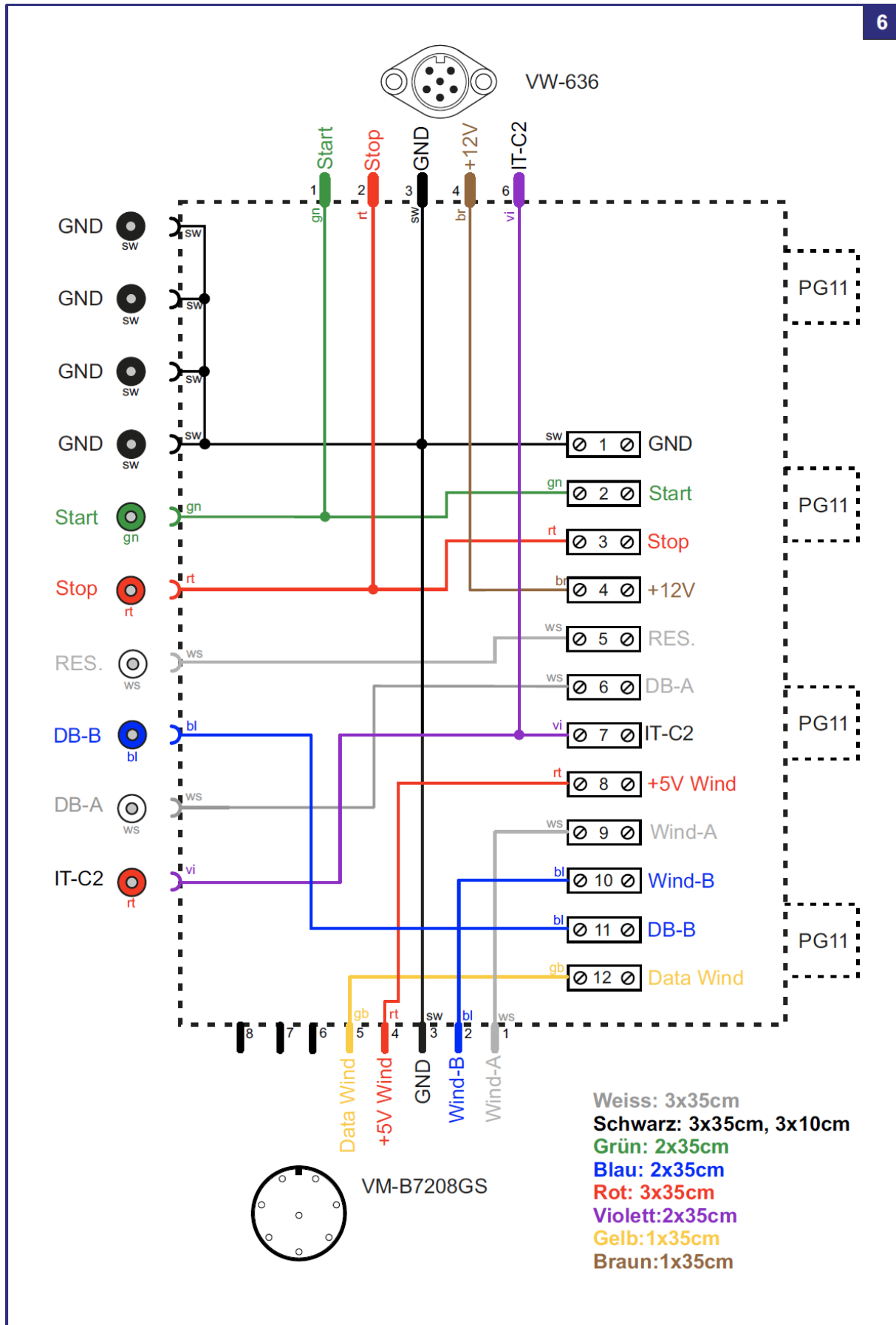
1..Start
2..Stop
3..GND
4..+12V
6..IT-C2

**Wind:**

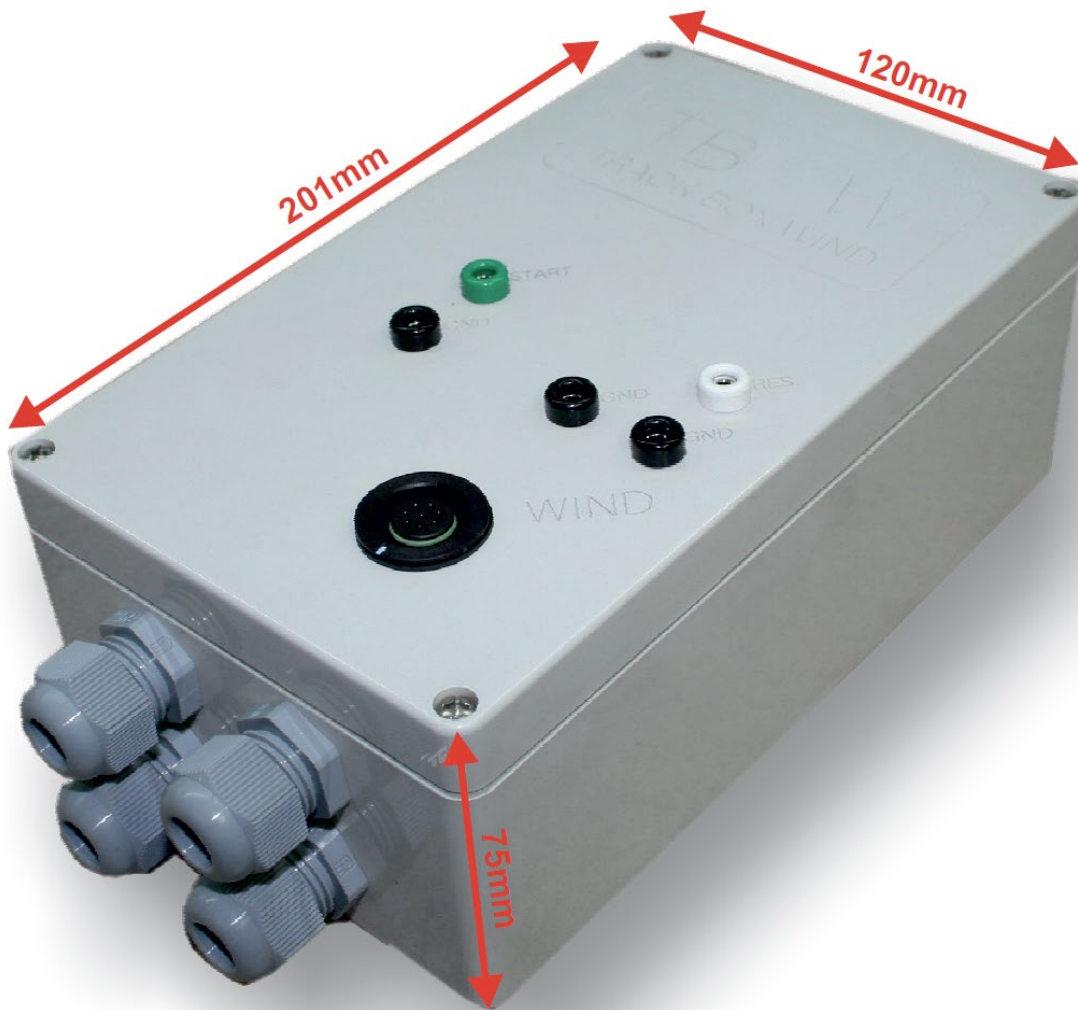


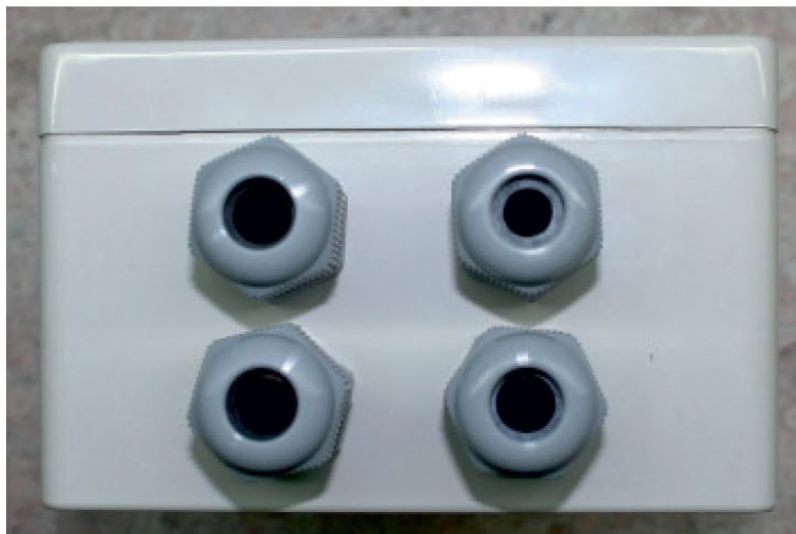
1..Wind-A
2..Wind-B
3..GND
4..+5V Wind
5..Data Wind

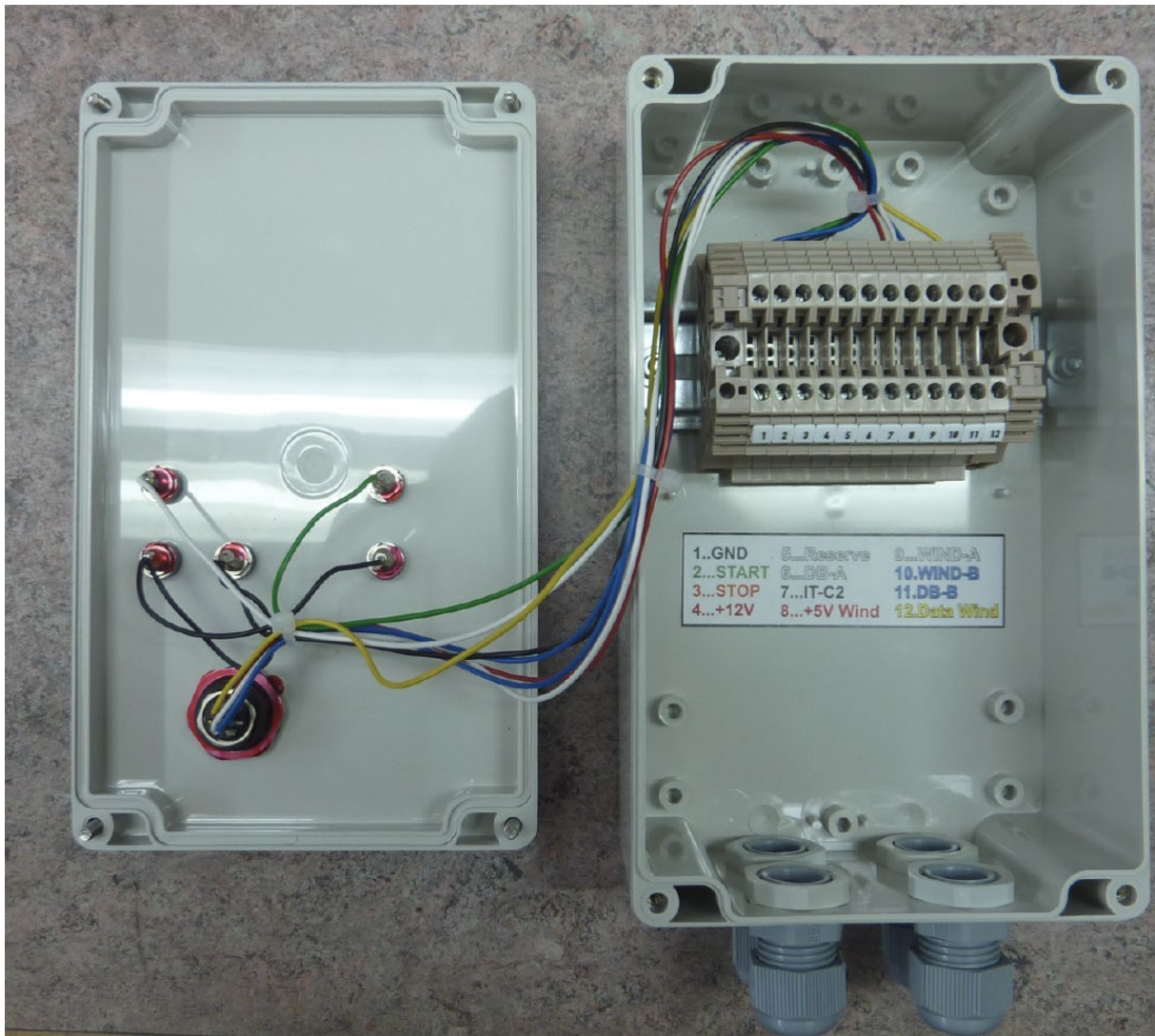




2.4 Trackbox TB W







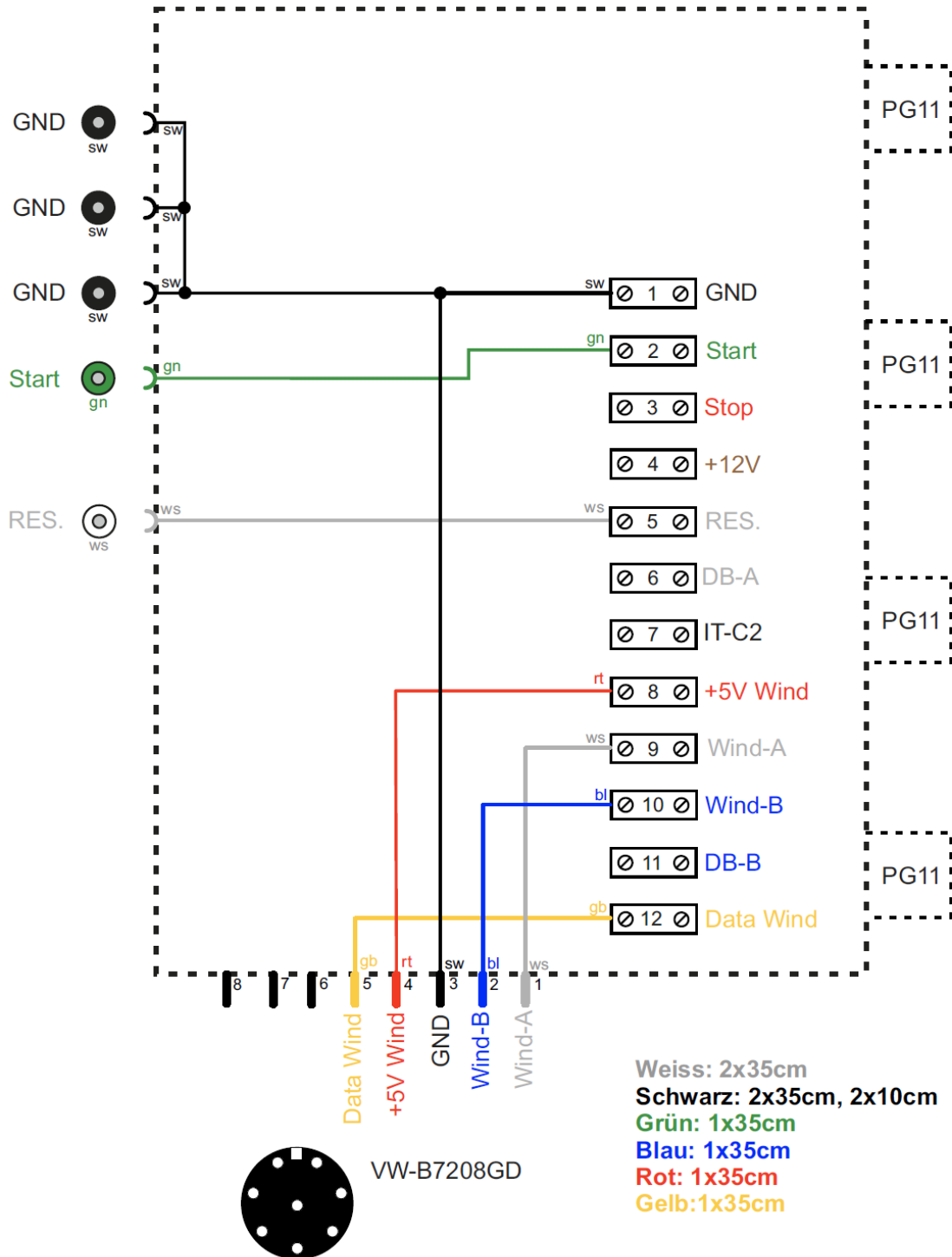
**Terminal:**

1..GND	5...Reserve	9...WIND-A
2...START	6...DB-A	10.WIND-B
3...STOP	7...IT-C2	11.DB-B
4...+12V	8...+5V Wind	12.Data Wind

**Wind:**



1..Wind-A
2..Wind-B
3..GND
4..+5V Wind
5..Data Wind



3 Sketches of the Cabling

