

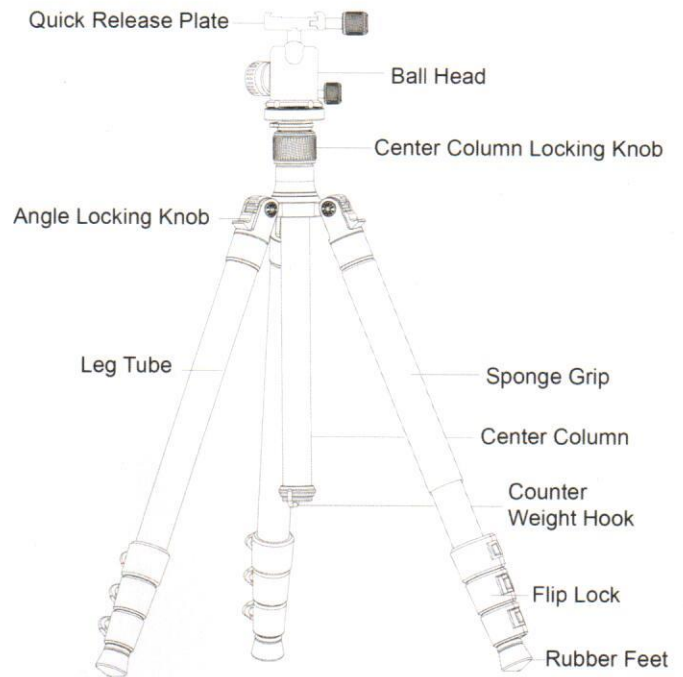
Notice:

1. When you receive this product, make sure that all the necessary parts are available in the package.
2. Before placing your camera onto the tripod, check that all the locks are tightened to avoid accidental damage.
3. Don't exceed the maximum specified load capacity.
4. Avoid using at temperatures under -40°F or above 212°F .
5. Better not use it in seawater. Please dry and clean the tripod after used in wet, sandy and dusty environments.
6. Please don't carry your camera together with the tripod when moving around.
7. Keep the tripod away from electric.
8. Please confirm the size with real products.

Contact Us:

-  <https://www.alge-timing.com>
-  office@alge-timing.com
-  Tel: +43-5577-85966
-  Fax: +43-5577-85966-4

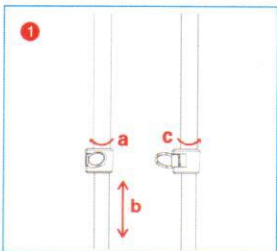
TRIPOD USER'S MANUAL



ALGE-TIMING

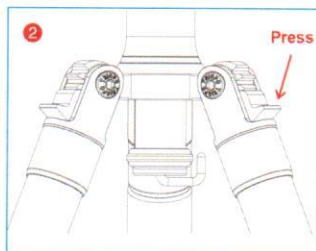
Tripod with Ball head

TRIPOD USER'S MANUAL



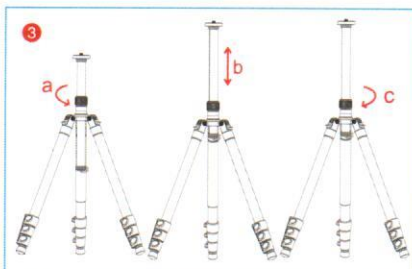
① The leg flip-lock usage

- a. Pull open the leg flip-lock and adjust to the required height. Then press down the leg flip-lock.



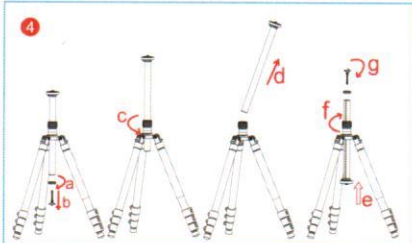
② Angle Adjustment

- a. Press the button down and adjust it to your desired angle, loose your hand if the angle is suitable.
- b. Three leg angle positions provide more flexibility and allow you to shoot from different angles.



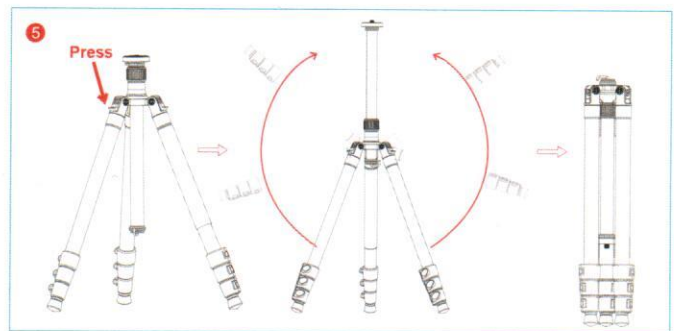
③ Center Column Height Control

- a. Contra rotate the twist lock of the center column.
- b. Stretch the center column to the desired height.
- c. Clockwise rotate the twist lock to fix the height.



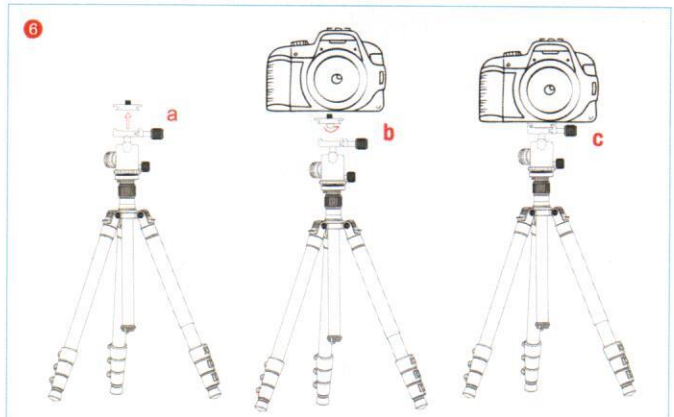
④ Invert the Center Column to Achieve Macro Photography

- a. Contra rotate the twist lock of the center column.
- b. Take the center column out.
- c. Install the center column downward.
- d. Tighten the twist lock to fix the height.



⑤ Folding the tripod 180°

- a. Press the angle adjustment button to invert and fold back the tripod legs 180°.



⑥ Mount Your Camera on the Tripod

- a. Unscrew the quick release plate locking knob and take the plate off.
- b. Screw the 1/4 thread by hand or use the Allen Wrench to mount the camera on the plate.
- c. Mount the quick release plate on the ball head together with the camera.