

Start Unit SU3



Important Information

General

Before using your **ALGE-TIMING** device read the complete manual carefully. It is part of the device and contains important information about installation, safety and its intended use. This manual cannot cover all conceivable applications. For further information or in case of problems that are mentioned not at all or not sufficiently detailed, please contact your **ALGE-TIMING** representative. You can find contact details on our homepage www.alge-timing.com

Safety

Apart from the information of this manual all general safety and accident prevention regulations of the legislator must be taken into account.

The device must only be used by trained persons. The setting-up and installation must only be executed according to the manufacturer's data.

Intended Use

The device must only be used for its intended applications. Technical modifications and any misuse are prohibited because of the risks involved! **ALGE-TIMING** is not liable for damages that are caused by improper use or incorrect operation.

Power supply

The stated voltage on the type plate must correspond to voltage of the power source. Check all connections and plugs before usage. Damaged connection wires must be replaced immediately by an authorized electrician. The device must only be connected to an electric supply that has been installed by an electrician according to IEC 60364-1. Never touch the mains plug with wet hands! Never touch live parts!

Cleaning

Please clean the outside of the device only with a smooth cloth. Detergents can cause damage. Never submerge in water, never open or clean with wet cloth. The cleaning must not be carried out by hose or high-pressure (risk of short circuits or other damage).

Liability Limitations

All technical information, data and information for installation and operation correspond to the latest status at time of printing and are made in all conscience considering our past experience and knowledge. Information, pictures and description do not entitle to base any claims. The manufacturer is not liable for damage due to failure to observe the manual, improper use, incorrect repairs, technical modifications, use of unauthorized spare parts. Translations are made in all conscience. We assume no liability for translation mistakes, even if the translation is carried out by us or on our behalf.

Disposal

If a label is placed on the device showing a crossed out dustbin on wheels (see drawing), the European directive 2002/96/EG applies for this device.

Please get informed about the applicable regulations for separate collection of electrical and electronic waste in your country and do not dispose of the old devices as household waste. Correct disposal of old equipment protects the environment and humans against negative consequences!



Copyright by **ALGE-TIMING GmbH**

All rights reserved. Any duplication, either in full or in part, requires the prior written consent of the copyright holder.

Table of Contents

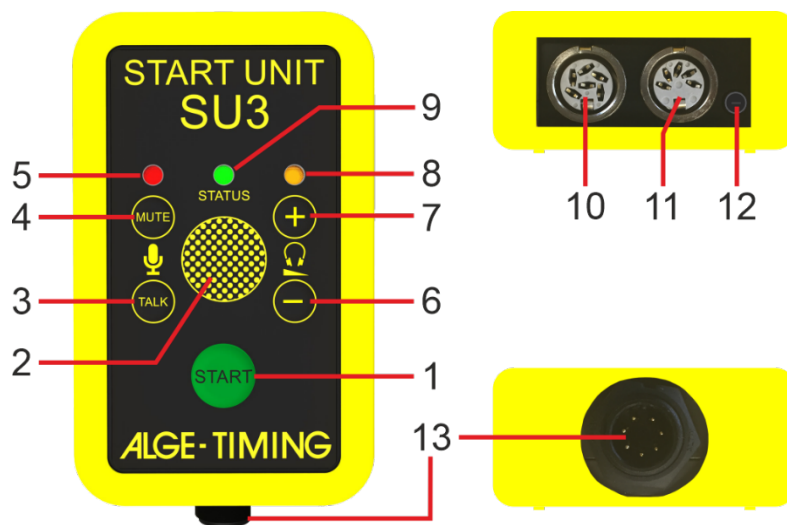
1	Device Description	4
2	Power Supply	4
3	Connections of the SU3	5
3.1	DIN Socket for Start Signal (10)	5
3.2	DIN Socket for Headset (11)	5
3.3	Socket for BANG or Timing Device (12).....	5
4	Operation Buttons	6
4.1	START (1)	6
4.2	MUTE (4).....	6
4.3	TALK (3).....	6
4.4	Volume (6 + 7)	6
4.5	Microphon Laustärke (12).....	6
5	LED Functions	6
5.1	Microphone-LED (5)	6
5.2	Status-LED (9).....	6
5.3	Volume-LED (6).....	6
6	Technical Data	7
6.1	Sockets.....	7
6.1.1	Pin assignment DIN socket for start microphone or e-Start (10)	7
6.1.2	Pin assignment for headset (11)	7
6.1.3	Pin assignment for cable 199-xx (12).....	7

1 Device Description

The Start Unit SU3 is a starting device. You can use it by itself or in combination with an external start device like e-Start or start microphone SM8.

The SU3 has a start push button, a microphone to make announcements to the athletes, a built-in speech amplifier with a socket for a headset. The headset can be used for making the announcements to the athletes or communicating with the timing operator.

The SU3 is equipped with push buttons to adjust the volume (+) or (-), to activate the microphone (TALK) and to switch the speaker output for announcements on or off (MUTE).



- 1.....start button
- 2.....microphone
- 3.....talk button
- 4.....mute button
- 5.....microphone LED
- 6.....volume down
- 7.....volume up
- 8.....volume LED
- 9.....status LED
- 10.....DIN socket for start signal
- 11.....DIN socket for headset
- 12.....volume for microphone
- 13.....socket for BANG or timing device

2 Power Supply

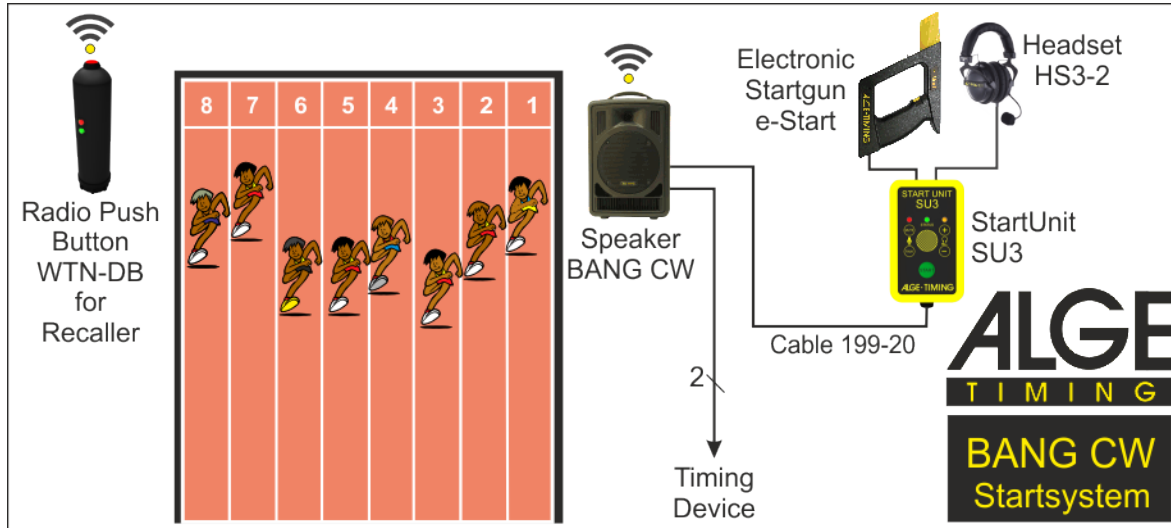
The SU3 is supplied by the device that is connected with cable 199-xx (timing device or BANG). It does not have an internal battery or power supply.



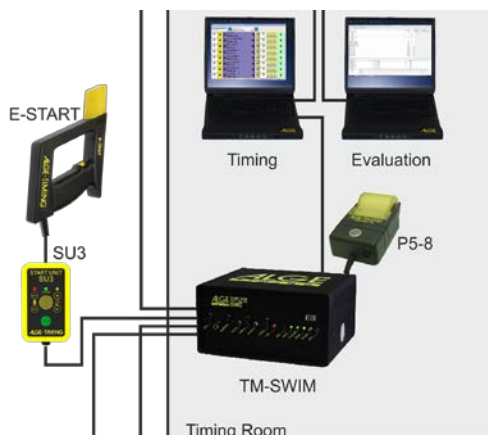
Cable 199-20

3 Connections of the SU3

The SU3 has three sockets to connect other devices.
Example for athletics:



Example for swimming:



3.1 DIN Socket for Start Signal (10)

Connect an external start device like e-Start or start microphone SM8.

3.2 DIN Socket for Headset (11)

Connect a headset to give oral commands to the athletes or to talk with the timing operator. If a headset is connected, the internal microphone is switched off automatically.

3.3 Socket for BANG or Timing Device (12)

Use cable 199-xx to connect the SU3 to a BANG, BANG CW or timing device (e.g. TimeManager, TM-SWIM or Start Judge).

4 Operation Buttons

4.1 *START (1)*

When pressing the START button, the timing device receives a start impulse. Optionally, you can use an external starting device like the e-Start or start microphone SM8 instead.

4.2 *MUTE (4)*

When pressing MUTE (4), you alternately activate or deactivate the microphone (internal SU3 or external headset microphone) for an output to an external speaker (BANG). If the microphone is on, the microphone LED (5) is on.

4.3 *TALK (3)*

As long as you press the button TALK (3), you activate the microphone (internal SU3 or external headset microphone) for an output to an external speaker (BANG). If the microphone is on, the microphone LED (5) is on.

4.4 *Volume (6 + 7)*

You can increase the volume (for external speaker or headset) by pressing the button + (7) and decrease the volume by pressing the button – (6).

4.5 *Microphon Laustärke (12)*

The volume of the microphone can be adjusted with the rotary switch (12) using a small screw driver.

Warning: if this switch is turned up too far, howl (interfering noises) can occur. In this case you have to turn the rotary switch back.

5 LED Functions

5.1 *Microphone-LED (5)*

If the microphone of the SU3 is activated, this LED (5) is on.

5.2 *Status-LED (9)*

If the timing system is ready for a start impulse, this LED (9) blinks green.

5.3 *Volume-LED (6)*

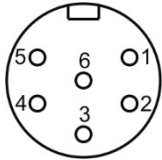
The volume LED (6) is red when the volume is low, orange when the volume is in the middle and green when the volume is high.

6 Technical Data

Case: rugged plastic case with yellow rubber cover
 Measurements: 127 x 73 x 37 mm (L x W x H)
 Weight: 0.25 kg

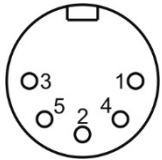
6.1 Sockets

6.1.1 Pin assignment DIN socket for start microphone or e-Start (10)



- 1..... C0 Start signal
- 2..... status
- 3..... ground
- 4..... external supply for e-Start or SM8 (output 11 VDC)
- 5..... empty
- 6..... empty

6.1.2 Pin assignment for headset (11)



- 1.....microphone of headset
- 2.....shared compound
- 3.....earphone of headset
- 4.....empty
- 5.....empty

6.1.3 Pin assignment for cable 199-xx (12)



- 1.....C0 (Channel 0 = Start)
- 2.....Talk SU3
- 3.....ground
- 4.....+12 VDC input
- 5.....status

Subject to changes and misprints

ALGE-TIMING GmbH

Rotkreuzstraße 39

A-6890 Lustenau

Austria

Tel: +43-5577-85966

Fax: +43-5577-85966-4

office@alge-timing.comwww.alge-timing.com