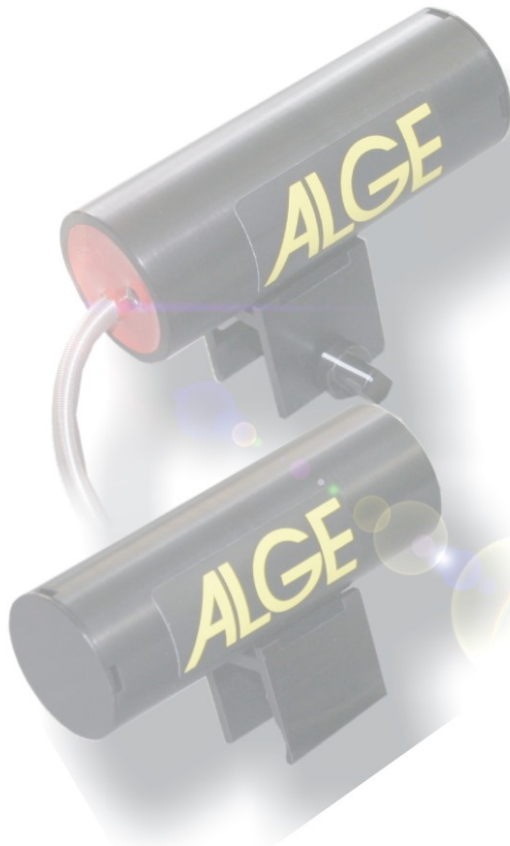


SV4, SV4/SM, HS2 STP, SM8



ALGE-TIMING

Manual

Important Information

General

Before using your **ALGE-TIMING** device read the complete manual carefully. It is part of the device and contains important information about installation, safety and its intended use. This manual cannot cover all conceivable applications. For further information or in case of problems that are mentioned not at all or not sufficiently detailed, please contact your **ALGE-TIMING** representative. You can find contact details on our homepage www.alge-timing.com

Safety

Apart from the information of this manual all general safety and accident prevention regulations of the legislator must be taken into account.

The device must only be used by trained persons. The setting-up and installation must only be executed according to the manufacturer's data.

Intended Use

The device must only be used for its intended applications. Technical modifications and any misuse are prohibited because of the risks involved! **ALGE-TIMING** is not liable for damages that are caused by improper use or incorrect operation.

Cleaning

Please clean the outside of the device only with a smooth cloth. Detergents can cause damage. Never submerge in water, never open or clean with wet cloth. The cleaning must not be carried out by hose or high-pressure (risk of short circuits or other damage).

Liability Limitations

All technical information, data and information for installation and operation correspond to the latest status at time of printing and are made in all conscience considering our past experience and knowledge. Information, pictures and description do not entitle to base any claims. The manufacturer is not liable for damage due to failure to observe the manual, improper use, incorrect repairs, technical modifications, use of unauthorized spare parts. Translations are made in all conscience. We assume no liability for translation mistakes, even if the translation is carried out by us or on our behalf.

Disposal

If a label is placed on the device showing a crossed out dustbin on wheels (see drawing), the European directive 2002/96/EG applies for this device.

Please get informed about the applicable regulations for separate collection of electrical and electronical waste in your country and do not dispose of the old devices as household waste. Correct disposal of old equipment protects the environment and humans against negative consequences!



Copyright by **ALGE-TIMING GmbH**

All rights reserved. Any duplication, either in full or in part, requires the prior written consent of the copyright holder.

Subject to changes!

Copyright by:

ALGE-TIMING GmbH
Rotkreuzstrasse 39
A-6890 Lustenau
Austria

office@alge-timing.com
www.alge-timing.com

Start microphone SM8:

The start microphone SM8 and the speech-amplifier SV4/SM are required for triggering-out the timing system. The starting shot with the start gun triggers out an electric impulse inside the start microphone. This impulse starts the timing device. The microphone is installed in the front part of the SM8 for triggering out the timing system. In order to get an efficient triggering, you have to mount the SM8 so that the sonic of the gun will leave near the microphone. The cable of SM8 should go backward, in direction of the gun handhold (see picture). The cable should not be near the flame of the gun shot, since it may be destroyed then.



Please take care that the start gun is always well cleaned. The sonic exit shouldn't be prevented by dirt.

The munitions of the pistoles must always stay dry and shouldn't be elder then one year.

Speech-amplifier SV4/SM and headset HS2-2:

The speech-amplifier and the headset enables a communication between starter and timing staff. The speech-amplifier possess a built-in 9V-battery. If this battery is empty, you can hear a "knocking" in the earphones. You can find the battery at the bottom side of the speech-amplifier.

Attention: After end of the event, don't forget to disconnect the headset and the start microphone from the speech-amplifier. The speech-amplifier will then automatically switch-off.

The speech-amplifier SV4/SM will be connected to the timing device with a 2-wired cable (z.B. KT300).

The polarity of the cable must be correct! The polarity is alright, if the light-emitting diode of the SV4/SM blinks periodically.

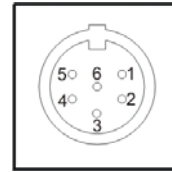


Start Gun , Start Microphone, Speech Amplifier, Headset



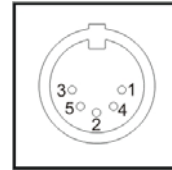
Plug to connect the start microphone SM8:

- 1 signal output, open collector; max. 12 V / 50 mA, impulse duration: low = approx. 100 ms
- 2 empty
- 3 compound
- 4 +6 to 15 Volt; 0,6 mA (of SV4/SM)
- 5 +5 Volt stabilized; 0,4 mA (of ODB1)



Plug to connect the headset HS2-2:

- 1 microphone of headset
- 2 shared compound
- 3 earphone headset
- 4 empty
- 5 empty

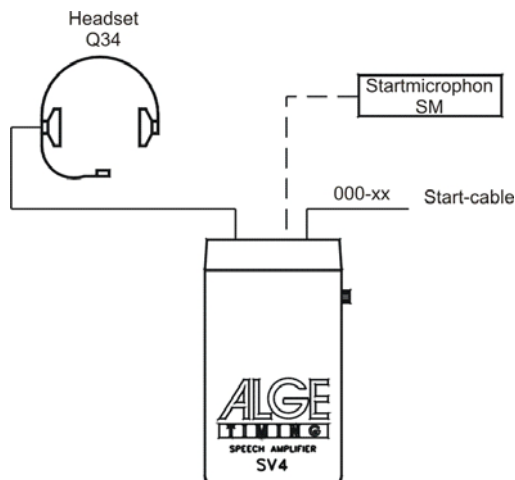


Switch:

- up switch – speaking operation is on
 middle microphone of headset is off
 down switch – speaking operation is on



The ALGE speech-system



It consists of a speech-amplifier with headset as well as the receiver (e.g. SV4, Timer S4, TDC, OptiC, ...).

You can connect the headset on the plug (1) of the speech-amplifier.

Connect the 2-wired speech-conductor to the banana plugs (2). You can also combine the 2-wired speech-conductor with the start-conductor or another control cable.

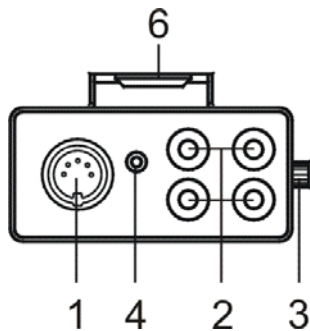
Headset HS2-2:

2 ear pieces, 1 microphone, 2m or 5m cable length.

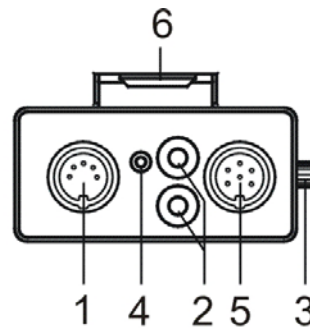
Headset HS2-1:

1 ear piece, 1 microphone, 2m cable

Chose between 2 different types of speech-amplifier SV4



Speech-amplifier SV4-S
with switcher



Speech-amplifier SV4-SM
for start-microphone (e.g. SM8)
with switcher

- 1 DIN-plug to connect the headset
- 2 Banana-plug for the 2-wired speech-conductor (can be combined with control cable).
- 3 Volume control for earpiece of the headset
- 4 Speech-pushbutton (Push = micro of the headset on) and speech-switch (in order to switch the microphone of the headset on or off).
- 5 DIN-plug to connect the start microphone.
- 6 Clip (as fastener on the belt)

Switch-on:

The speech-amplifier will switch-on automatically when the headset ist connected.
The start microphone is fed through the internal battery of the speech-amplifier.

ATTENTION: It is necessary that all devices are disconnected from the speech-amplifier at the end of an event, so that the internal battery won't be unloaded needlessly.

Volume adjustment:

With the volume controller (3) you can adjust the volume of the headset-loudspeaker.

max. Lautstärke	Mittelstellung	min. Lautstärke
+6 dB	0 dB	-20 dB
doppelte Nominale	Nominale	1/20 Nominale

Power supply:

The speech-amplifier includes a 9V Alkaline battery.

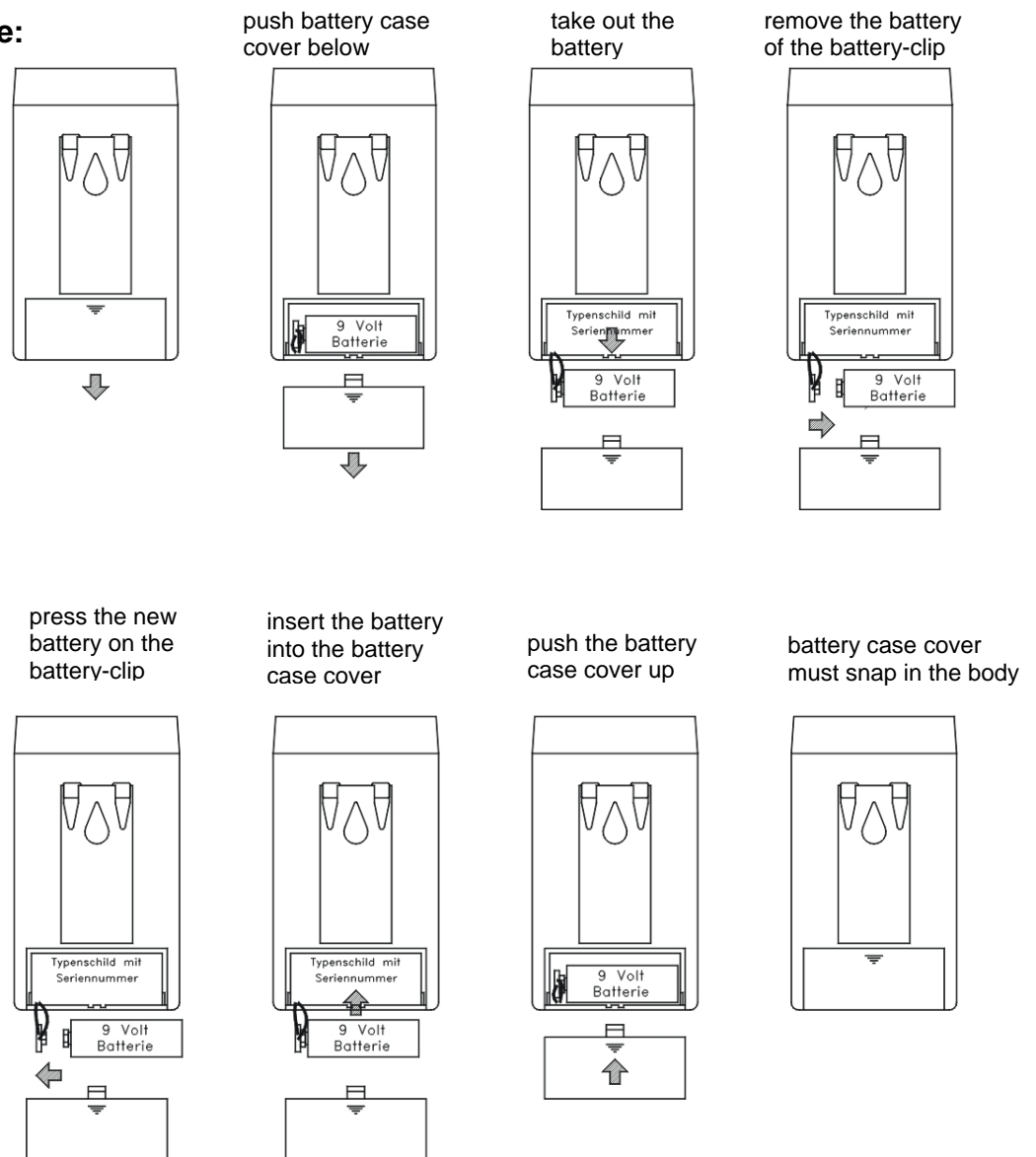
Type of battery: 9 V Alkaline battery (E-Block)

Battery durability : approx. 150 hours at 20°C for SV4 and SV4-SM, SM included
approx. 25 hours at -20°C for SV4 and SV4-SM, SM included

Overvoltage control at SV4-SM:

$U_{Batt} < 5,5 \text{ V}$ (left capacity = 10%), Beep all 3 seconds

Battery exchange:



Dimensions: 120 x 73 x 40 mm (length x width x height) **Weight:** approx. 100 g (without battery)



Start Gun , Start Microphone,
Speech Amplifier, Headset