

D-CKN



ALGE-TIMING

Manual

Important Information

General

Before using your ALGE-TIMING device read the complete manual carefully. It is part of the device and contains important information about installation, safety and its intended use. This manual cannot cover all conceivable applications. For further information or in case of problems that are mentioned not at all or not sufficiently detailed, please contact your ALGE-TIMING representative. You can find contact details on our homepage www.alge-timing.com

Safety

Apart from the information of this manual all general safety and accident prevention regulations of the legislator must be taken into account.

The device must only be used by trained persons. The setting-up and installation must only be executed according to the manufacturer's data.

Intended Use

The device must only be used for its intended applications. Technical modifications and any misuse are prohibited because of the risks involved! ALGE-TIMING is not liable for damages that are caused by improper use or incorrect operation.

Power supply

The stated voltage on the type plate must correspond to voltage of the power source. Check all connections and plugs before usage. Damaged connection wires must be replaced immediately by an authorized electrician. The device must only be connected to an electric supply that has been installed by an electrician according to IEC 60364-1. Never touch the mains plug with wet hands! Never touch live parts!

Cleaning

Please clean the outside of the device only with a smooth cloth. Detergents can cause damage. Never submerge in water, never open or clean with wet cloth. The cleaning must not be carried out by hose or high-pressure (risk of short circuits or other damage).

Liability Limitations

All technical information, data and information for installation and operation correspond to the latest status at time of printing and are made in all conscience considering our past experience and knowledge. Information, pictures and description do not entitle to base any claims. The manufacturer is not liable for damage due to failure to observe the manual, improper use, incorrect repairs, technical modifications, use of unauthorized spare parts. Translations are made in all conscience. We assume no liability for translation mistakes, even if the translation is carried out by us or on our behalf.

Disposal

If a label is placed on the device showing a crossed out dustbin on wheels (see drawing), the European directive 2002/96/EG applies for this device.

Please get informed about the applicable regulations for separate collection of electrical and electronical waste in your country and do not dispose of the old devices as household waste. Correct disposal of old equipment protects the environment and humans against negative consequences!



Copyright by ALGE-TIMING GmbH

All rights reserved. Any duplication, either in full or in part, requires the prior written consent of the copyright holder.

CONTENTS

1	Soccer Scoreboard Models.....	3
1.1	D-LINE Models	3
1.2	D-FB3 Models.....	5
2	Radio Control for LED Scoreboards.....	7
3	Accessories for Soccer Scoreboards.....	7
4	Assembly.....	8
5	Dimensions.....	9
6	Control Terminal D-CKN:.....	10
6.1	Control terminal D-CKN	10
6.3	Operation of Control Terminal D-CKN.....	12
6.3.1	Reset of Match Data and Setting of Parameters	12
6.3.2	Soccer - Parameter	12
6.3.3	<i>Set RealTime</i>	13
6.3.4	Period	13
6.3.5	Track & Field Mode.....	13
7	Display-Control (optional)	14

1 Soccer Scoreboard Models

1.1 D-LINE Models

D-LINE300-O-6-E2-T

Figure height: 30 cm

Readability: 150 m

Match time: 4-digit in minutes and seconds

Score: each team from 0 to 9



D-LINE450-O-6-E2-T

Figure height: 45 cm

Readability: 200 m

Match time: 4-digit in minutes and seconds

Score: each team from 0 to 9

D-LINE300-O-4+2x19-E1

Figure height: 30 cm

Readability: 150 m

Match time: 4-digit in minutes and seconds

Score: each team from 0 to 19

D-LINE450-O-4+2x19-E1

Figure height: 45 cm

Readability: 200 m

Match time: 4-digit in minutes and seconds

Score: each team from 0 to 19



D-LINE300-O-8A-E2 (also for track & field)

Figure height: 30 cm

Readability 150 m

Match time: 6-digit (minutes, seconds and 1/100 seconds)

Score: each team from 0 to 9

D-LINE450-O-8A-E2 (also for track & field)

Figure height: 45 cm

Readability: 200 m

Match time: 6-digit (minutes, seconds and 1/100 seconds)

Score: each team from 0 to 9



D-LINE300-O-6+2x19-E1 (also for track & field)

Figure height: 30 cm

Readability 150 m

Match time: 6-digit (minutes, seconds and 1/100 seconds)

Score: each team from 0 to 19

D-LINE450-O-6+2x19-E1 (also for track & field)

Figure height: 45 cm

Readability 200 m

Match time: 6-digit (minutes, seconds and 1/100 seconds)

Score: each team from 0 to 19

1.2 D-FB3 Models

D-FB3-19-300

Figure height: 30 cm

Readability 150 m

Match time: 4-digit in minutes and seconds

Score: each team from 0 to 19

D-FB3-19-A-300

Figure height: 30 cm

Readability 150 m

Match time: 6-digit (minutes, seconds, 1/100 seconds)

Score: each team from 0 to 19

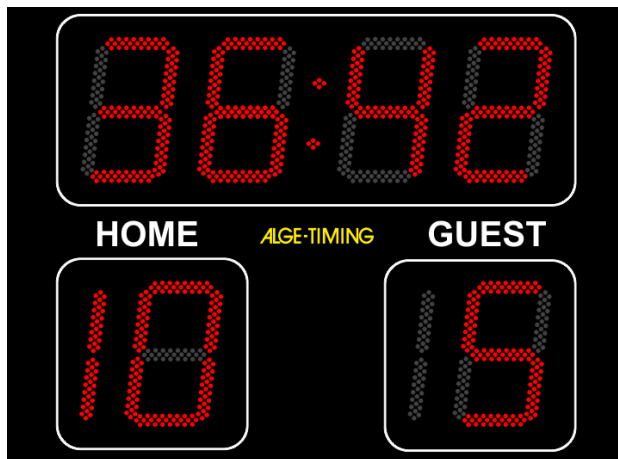
D-FB3-19-450

Figure height: 45 cm

Readability 200 m

Match time: 4-digit in minutes and seconds

Score: each team from 0 to 19



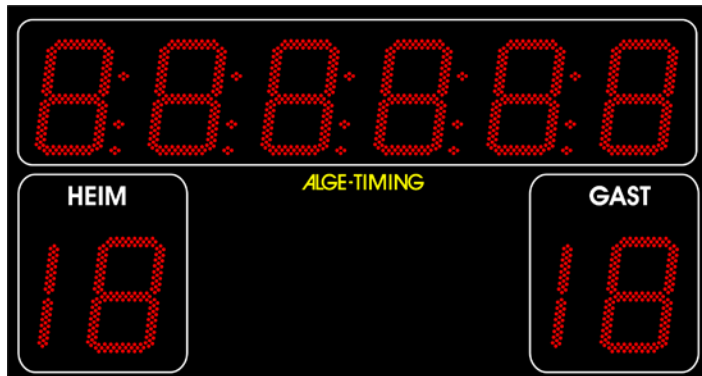
D-FB3-19-A-450

Figure height: 45 cm

Readability 200 m

Match time: 6-digit (minutes, seconds, 1/100 seconds)

Score: each team from 0 to 19



D-FB3-19-600/450

Figure height: 60 cm and 45 cm

Readability: 250 or 200 m

Match time: 4-digit in minutes and seconds

Score: each team from 0 to 19

D-FB3-19-600

Figure height: 60 cm

Readability: 250 m

Match time: 4-digit in minutes and seconds

Score: each team from 0 to 19

D-FB3-19-A-600

Figure height: 60 cm

Readability: 250 m

Match time: 6-digit (minutes, seconds, 1/100 seconds)

Score: each team from 0 to 19

D-FB3-19-1000

Figure height: 100 cm

Readability: 400 m

Match time: 4-digit in minutes and seconds

Score: each team from 0 to 19

D-FB3-19-1500

Figure height: 150 cm

Readability: 600 m

Match time: 4-digit in minutes and seconds

Score: each team from 0 to 19



2 Radio Control for LED Scoreboards

In case you would like to upgrade from cable version D-CKN control terminal to the D-CKN-WTN-A radio controlled terminal, you also need the radio receiver WTN-DB for the scoreboard (surcharge). You can order the upgrade as a package: D-CKN-WTN-A-DB (terminal including receiver).

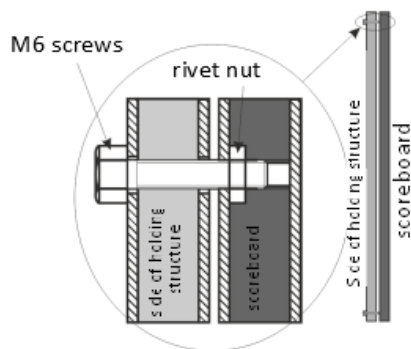
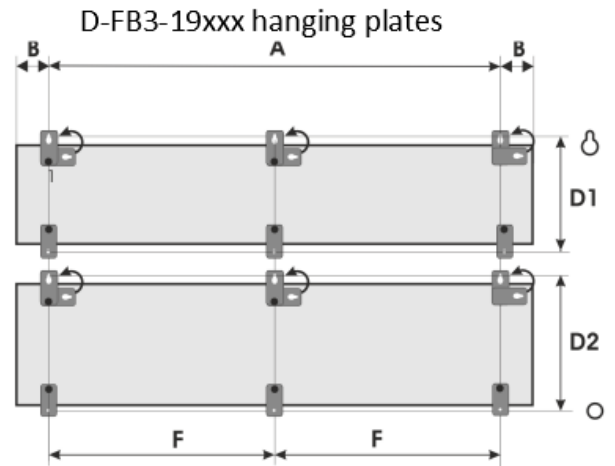
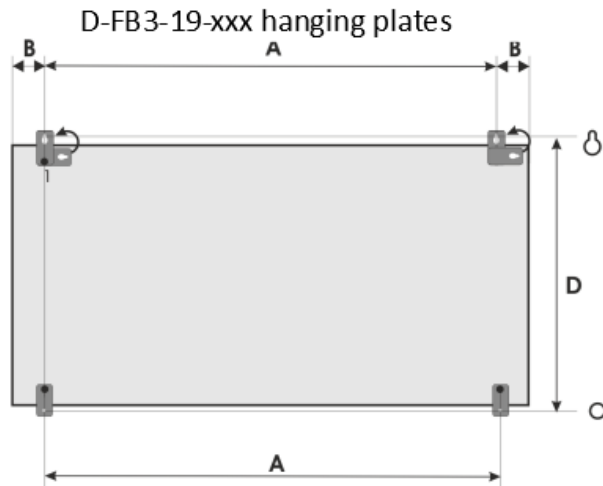
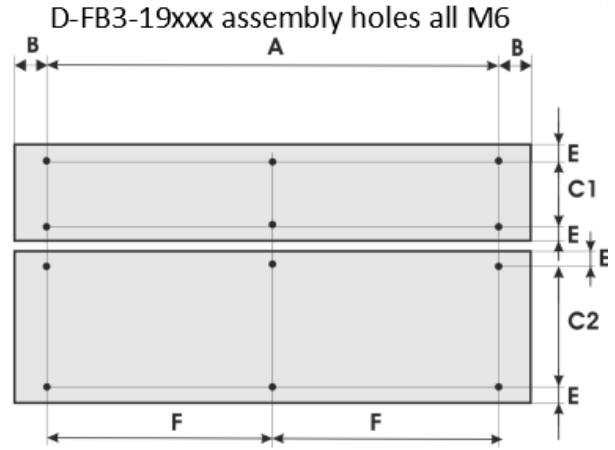
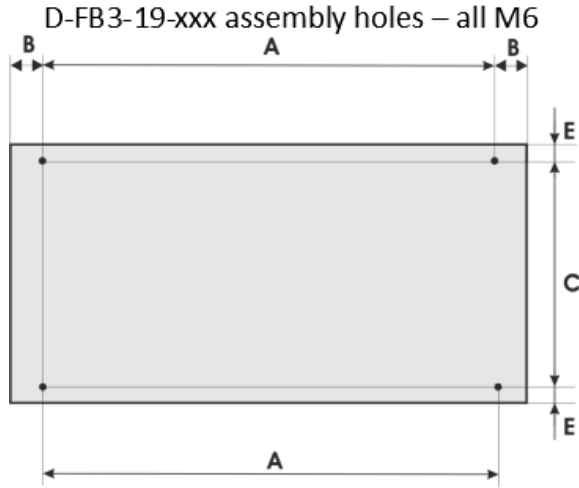
Attention: radio-controlled scoreboards also need power supply!

3 Accessories for Soccer Scoreboards

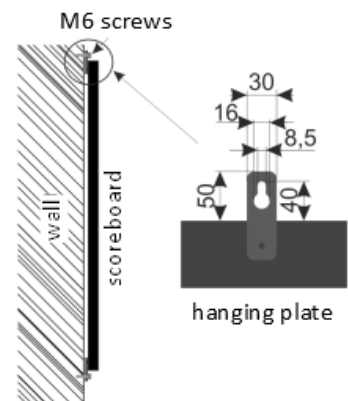
- DCF radio receiver D-DCF:** The time is always precise and automatically changes from daylight savings to standard daylight time. Only works in Central Europe.
- GPS radio receiver D-GPS:** The time is always precise and automatically changes from daylight savings to standard daylight time; works worldwide.
- Temperature sensor D-AT:** The temperature is shown when the match clock is not needed. It is also possible to display day time and temperature alternating.
- Light sensor D-LS:** The brightness is automatically adjusted to the ambient light intensity.
- Models with text display:** It is possible to complement the soccer scoreboard with a matrix display. Depending on the size of the matrix display D-RTNM club names or ads can be shown.



4 Assembly



Assembly on the same holding structure, fixed with M6 screws



Assembly on wall, fixed with M6 screws via hanging plate

5 Dimensions

Model	Scoreboard parts	Length L (mm)	Height H (mm)	Width W (mm)	Weight (kg)	Number of assembly holes or hanging plates	A (mm)	B (mm)	C or C1 +C2 (mm)	D or D1 + D2 (mm)	E (mm)	F (mm)	Figure height (mm)	Caption height (mm)
D-LINE300-O-4-E2	1	1800	550	70	20	4	1400	200	480	590	35	-	300	80
D-LINE300-O-2+2x19-E1	1	1800	550	70	20	4	1400	200	480	590	35	-	300	80
D-LINE300-O-6-E2-T	1	2300	550	70	25	4	1900	200	480	590	35	-	300	80
D-LINE300-O-4+2x19-E1	1	2300	550	70	25	4	1900	200	480	590	35	-	300	80
D-LINE300-O-8A-E2	1	2800	550	70	30	4	2400	200	480	590	35	-	300	80
D-LINE300-O-6+2x19-E1	1	2800	550	70	30	4	2400	200	480	590	35	-	300	80
D-LINE450-O-4-E2	1	2500	800	70	40	4	2100	200	730	840	35	-	450	130
D-LINE450-O-2+2x19-E1	1	2500	800	70	40	4	2100	200	730	840	35	-	450	130
D-LINE450-O-6-E2-T	1	3300	800	70	52	4	2900	200	730	840	35	-	450	130
D-LINE450-O-4+2x19-E1	1	3300	800	70	52	4	2900	200	730	840	35	-	450	130
D-LINE450-O-8A-E2	1	4100	800	70	66	4	3700	200	730	840	35	-	450	130
D-LINE450-O-6+2x19-E1	1	4100	800	70	66	4	3700	200	730	840	35	-	450	130
D-LINE600-O-4-E2	1	3300	1100	70	73	4	2900	200	1030	1140	35	-	600	180
D-LINE600-O-2+2x19-E1	1	3300	1100	70	73	4	2900	200	1030	1140	35	-	600	180
D-LINE600-O-6-E2-T	1	4200	1100	70	92	4	3800	200	1030	1140	35	-	600	180
D-LINE600-O-4+2x19-E1	1	4200	1100	70	92	4	3800	200	1030	1140	35	-	600	180
D-LINE600-O-8A-E2	1	5100	1100	70	112	4	4700	200	1030	1140	35	-	600	180
D-LINE600-O-6+2x19-E1	1	5100	1100	70	112	4	4700	200	1030	1140	35	-	600	180
D-FB300-4-O-WR	1	1100	900	70	20	4	700	200	830	940	35	-	300	80
D-FB300-2+2xH-O-WR	1	1100	900	70	20	4	700	200	830	940	35	-	300	80
D-FB300/450-2+2xH-O-WR	1	1600	1000	70	32	4	1200	200	930	1040	35	-	300/450	80
D-FB450-4-O-WR	1	1700	1200	70	40	4	1300	200	1130	1240	35	-	450	100
D-FB450-2+2xH-O-WR	1	1700	1200	70	40	4	1300	200	1130	1240	35	-	450	100
D-FB3-19-300	1	1200	850	70	21	4	800	200	680	890	35	-	300	50
D-FB3-19-A-300	1	1700	850	70	33	4	1300	200	680	890	35	-	300	50
D-FB3-19-450	1	1900	1400	70	55	4	1500	200	1350	1460	35	-	450	150
D-FB3-19-A-450-1	1	2490	1400	70	70	6	2090	200	1330	1440	35	1045	450	150
D-FB3-19-A-450	1	2490	1400	70	70	6	2090	200	1330	1440	35	1045	450	150
D-FB3-19-600/450	2	2000	600 1000	70	64	2 x 6	1600	200	530 930	640 1040	35	800	600/450	200
D-FB3-19-600	2	2490	800 1000	70	90	2 x 6	2090	200	730 930	840 1040	35	1045	600	200
D-FB3-19-A-600	2	3400	800 1000	70	120	2 x 6	3000	200	730 930	840 1040	35	1045	600	200
D-FB3-19-1000	2	3800	1200 1500	70	205	2 x 6	3400	200	1130 1430	1240 1540	35	1700	1000	250
D-FB3-19-1500	2	5200	1800 2200	70	416	2 x 6	4800	200	1730 2130	1840 2240	35	2400	1500	300

In case you would like to add a matrix display to the soccer scoreboard for displaying additional information such as team names, scorer, line-ups, animations, the below variations are available:

Matching matrix displays D-RTNM for D-FB3 models	D-FB3-19 -300	D-FB3-19 -450	D-FB3-19 -600/450	D-FB3-19 -600	D-FB3-19 -1000	D-FB3-19 1500	D-FB3-19 A-300	D-FB3-19 A-450	D-FB3-19 -A-600
1 line, 7 pixels height	P3-7x56	P4-7x80	P4-7x88	P4-7x104	P7-7x96	P7-7x128	P3-7x56	P4-7x80	P4-7x104
1 line, 8 pixels height	P3-8x56	P4-8x80	P4-8x88	P4-8x104	P7-8x96	P7-8x128	P3-8x56	P4-8x80	P4-8x104

6 Control Terminal D-CKN:

We offer several different control terminals. The standard model is D-CKN (cable version, standard with all soccer scoreboard models described here).

- D-CKN:** standard control for all models with 4-digit match time
- D-CKN-WTN-A:** option (surcharge) – integrated battery and WTN radio so that the user is free to move around



control terminal D-CKN



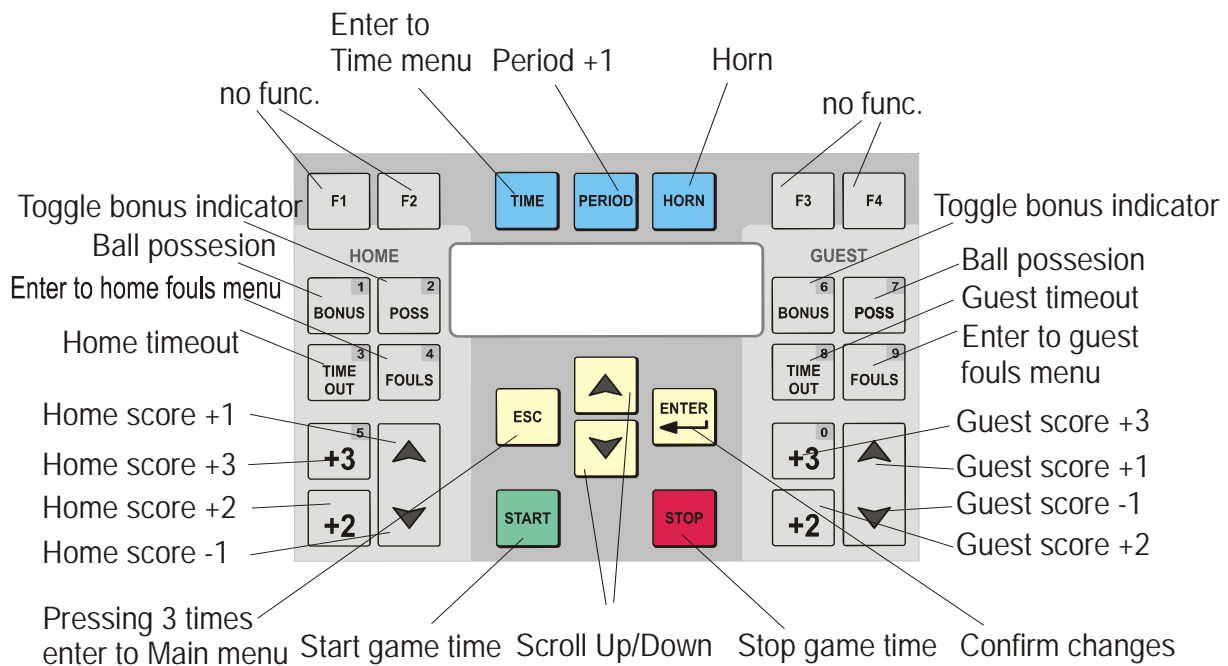
control terminal D-CKN-WTN-A

6.1 Control terminal D-CKN

The layout of the D-CKN control terminal is the same for all models.

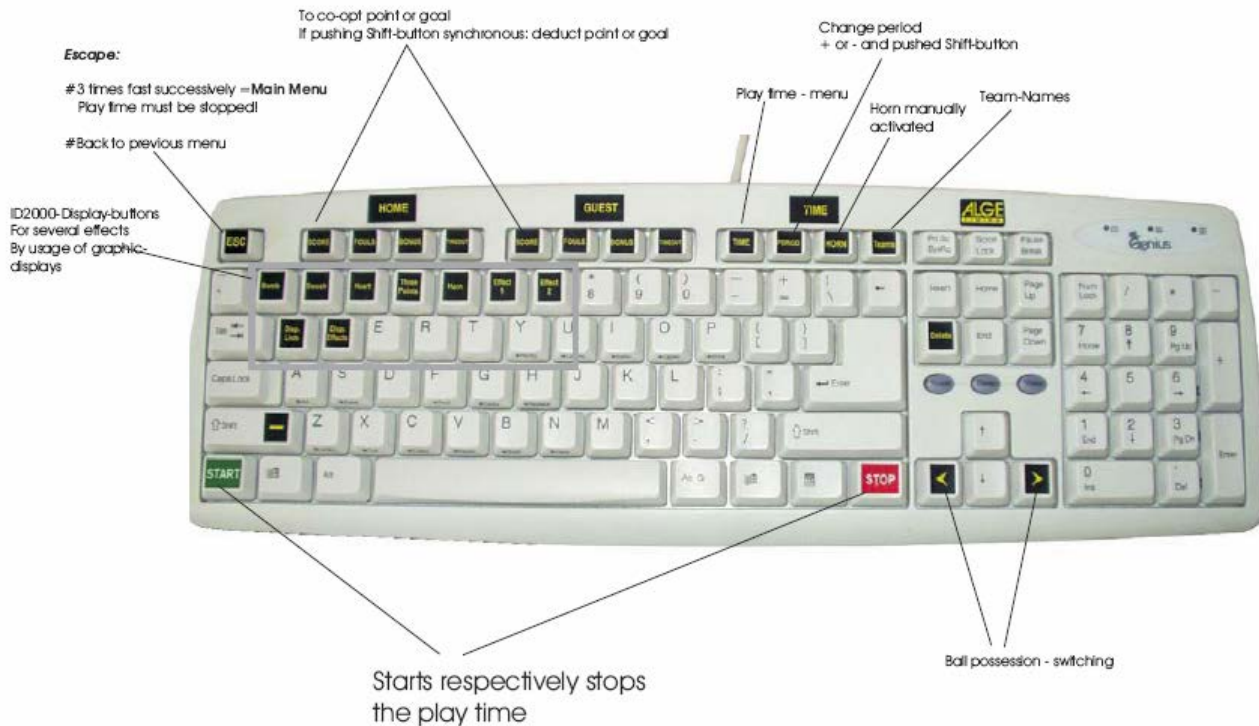
The D-CKN is connected to the scoreboard with cable 145-05.

The D-CKN-WTN-A is connected via WTN radio connection with WTN-DB to the scoreboard.



6.2 PC Keyboard for D-CKN Terminal (optional)

During switch-on of the D-CKN the software number (e.g. S1848) is shown for 2 seconds on the display. This number has to be stated in case of inquiries and problems.



ESC –return to previous menu

ENTER – activate and access the next menu

YELLOW ARROWS (up and down) – to scroll in the menu

In case you change the parameters, these general keys get the following assignment:

ESC – return to previous menu without saving the value of the parameter

ENTER – activate input

YELLOW ARROWS (up and down) – scroll in the menu

The setting of the brightness level for outdoor display boards can be effected by pressing the „B“-key (PC-keyboard) or „F1“ at the foil console.

D-CKN changes to the brightness setting menu in which the user can chose a value between 0 and 9.

0 – lowest brightness level

9 – highest brightness level

After a reset, the latest set brightness level is no longer saved.

6.3 *Operation of Control Terminal D-CKN*

6.3.1 **Reset of Match Data and Setting of Parameters**

Press *ESC* three times when playing time is stopped in order to change the functions for the following menus:

Continue match
Start new match
Configuration
Language
Keyboards

Options 1 and 2 are interesting during the ongoing match.

In case you choose option 2 (Start new match), time, period and score will be zeroed and a new match can be started

Choose option 3 (configuration) and you enter the parameter menu. Here, you can change all possible flexible settings for soccer.

Choose option 4 (language) to select the required language:

English
German
Czech
Finish
Italian

Choose option 5 (keyboard-type) in order to select the country-specific type of keyboard:

English
German
Czech
Finish

6.3.2 **Soccer - Parameter**

Period refers to the parameters that determine the playing time (generally halftimes = 45 min.)

Time – time counting – count-up or down (generally the time runs upwards, count-up)

Period no. – number of match periods (1-9) and/or halftimes (generally = 2, after the second halftime an „E“ shows in the display for deciding game)

Foil keypad:

By pressing the YELLOW ARROW DOWN a three seconds timer starts. During this time, one period (halftime) is reset by pressing the period key on the foil console.

6.3.2.1 Time

Periods can be counted up or down depending on parameter ,TIME' (as described in chapter 1). If you choose count-down you choose a starting time that indicates how long the playing time is. Otherwise, you choose the end time so that the starting time would automatically be 0:00 h. The offered time periods can manually be adjusted to a desired value.

Use *ENT* to return to the main view with new time period, *ESC* deletes the changes. Time modifications are not possible during an ongoing match.

By pressing the TIME key the scroll menu with following options is activated:

6.3.2.2 Change playing time

(allows to change or define the current playing time)

6.3.3 Set RealTime

(allows to change the daytime of the internal clock, daytime is only shown if the CKN-play console is locked and/or switched off – after approx. 10 sec.)

6.3.3.1 AutoSTOP (ON – OFF)

(if „ON“ – time stops automatically after each period,
e.g. period=45min. then STOP at 45 and 90 = FIFA rules for international matches, overtime will be shown apart)

6.3.4 Period

Press ,PERIOD' (PC-keyboard – F10) to increase the amount of periods.
In order to start the second halftime the periods have to be increased!
This means: The period key has to be pressed!!!

Foil keypad:

By pressing the YELLOW ARROW DOWN a three seconds timer starts.
During this time, one period (halftime) is reset by pressing the period key on the foil console.

6.3.5 Track & Field Mode

The output of the timing device is directly connected with a 2-core cable to the COM box for soccer scoreboards with track & field mode. The multisport control terminal has to be connected and switched on for operation in track & field mode. The timing device data is read by the multisport control terminal and passed on to the scoreboard.

Scoreboards with direct RS232 input are available. In these cases, the control terminal can be directly connected when using in soccer mode; no COM box is needed.

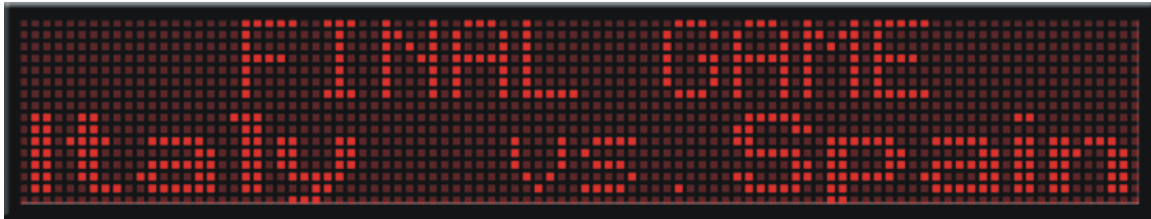
7 Display-Control (optional)

If you use the PC-keyboard it is possible to send several control commands to a D-RTNM Display Board.

Press the DisplList key (,Q') to reach the list menu. The chosen list name becomes the active display list.

Press the EffectList key (,W') to reach the effect menu. The chosen effect shows on the display (is added to the current display list).

The keys Effect1 – Effect8 (,1' – ,8') are hot keys for the effect menu. By pressing one of these keys the effect animation on the display is started.



*You will find more information on the D-ID and D-RTNM display boards as well as list and effect possibilities in the corresponding manuals (e.g. Display Studio)



Subject to changes, misprints and errors

Copyright by

ALGE-TIMING GmbH
Rotkreuzstr. 39
6890 Lustenau / Austria
www.alge-timing.com